



Service Sink / Mop Sink Faucets

B-0664-05

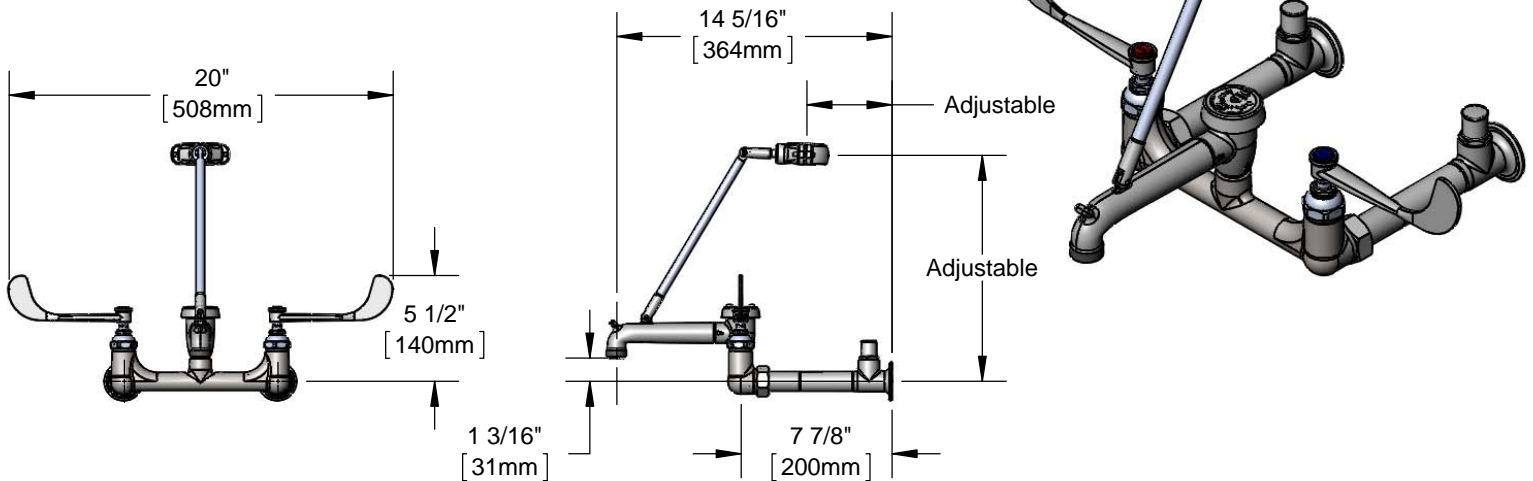
TAG:

Service Sink Faucet

Architect/Engineering Specifications:

8" wall mount mixing faucet with polished chrome plated brass body, polished chrome plated brass spout with vacuum breaker, pail hook and garden hose male outlet, compression cartridges with spring checks, 6" wrist action handles, 1/2" NPT female extension inlets, loose key stops and upper support clamp. Certified to ASME A112.18.1/CSA B125.1, NSF 61-Section 9, NSF 372 and ASSE 1001. Meets ADA ANSI/ICC A117.1 requirements.

Job Name	_____		
Model Specified	_____	Quantity	_____
Variations Specified	_____		
Date	_____		



Features & Benefits:

- 8" wall mount mixing faucet with polished chrome plated brass body
- Spout with vacuum breaker pail hook & garden hose male outlet
- 6" wrist action handles with color coded indexes
- Quarter-Turn Eterna compression cartridges with spring checks to prevent cross flow of water
- 1/2" NPT female inlets with Ø 2" flanged loose key stops
- 1 3/4" extensions
- 2 3/4" extensions
- Upper support clamp for use on Ø 1-1/2" flush tubes
- Material: Polished chrome plated brass body, spout & handles

Product Compliance:

- ASME A112.18.1 / CSA B125.1
- NSF 61 - Section 9
- NSF 372 (Low Lead Content)
- ANSI A117.1 (ADA)
- ASSE 1001 (VB)

Warranty: One Year (Limited)

Performance Data:

- Pressure: 20 - 125 psi
- Temperature: 40°F - 140°F
- Flow Rate: 10.22 GPM @ 60 psi



ADA Compliant



Optional Handles

- 4" Wrist Action
- Lever
- 4-Arm

Optional Cartridges With Checks

- Quarter-Turn Cerama w/ Check Valve
- Quarter-Turn Eterna w/ Spring Check (Standard)



T&S BRASS AND BRONZE WORKS, INC.



• 2 Saddleback Cove • Travelers Rest, SC 29690
 Ph 800-476-4103 • Fax 864-834-3518
 • Simi Valley, CA • Ph 800-423-0150 • www.tsbrass.com

Date: 10/24/16