



# Service Sink / Mop Sink Faucets

## B-0661-RGH

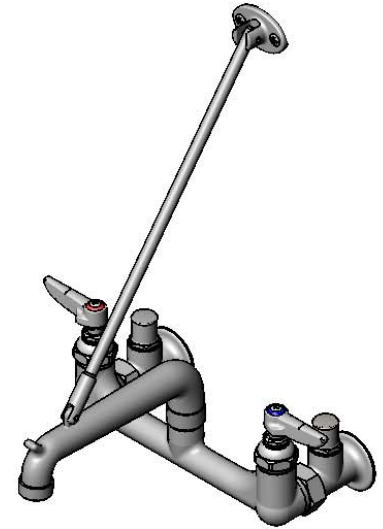
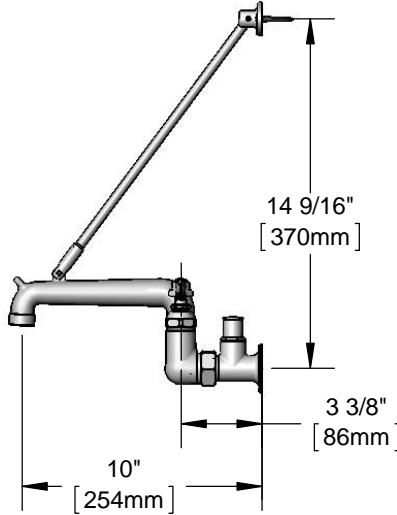
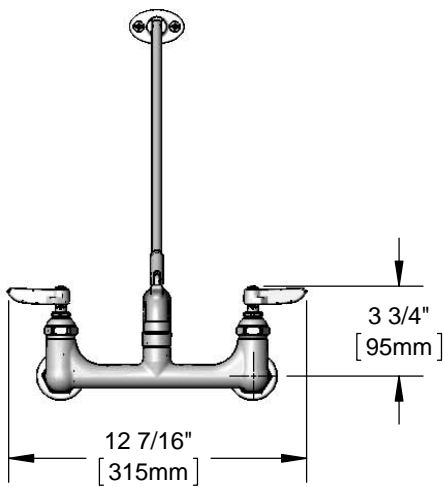
TAG:

### Service Sink Faucet

#### Architect/Engineering Specifications:

8" wall mount mixing faucet with rough chrome plated brass body, rough chrome plated brass spout with pail hook and plain end outlet, compression cartridges with spring checks, lever handles, integral stops and 1/2" NPT female inlets. Certified to ASME A112.18.1/CSA B125.1, NSF 61-Section 9 and NSF 372. Meets ADA ANSI/ICC A117.1 requirements.

Job Name \_\_\_\_\_  
 Model Specified \_\_\_\_\_ Quantity \_\_\_\_\_  
 Variations Specified \_\_\_\_\_  
 Date \_\_\_\_\_



#### Features & Benefits:

- 8" Wall mount mixing faucet with rough chrome plated brass body
- Spout with pail hook & plain end outlet
- Lever handles with color coded indexes
- Quarter-turn Eterna cartridges with spring checks to prevent cross flow of water
- 1/2" NPT female eccentric inlets w/  $\phi 2$  flanges
- Integral stops
- Adjustable centers from 7 3/4" to 8 1/4"
- Upper support rod
- Material: Rough chrome plated brass body, spout & inlets and chrome plated metal handles

#### Product Compliance:

- ASME A112.18.1 / CSA B125.1
- NSF 61 - Section 9
- NSF 372 (Low Lead Content)
- ANSI A117.1 (ADA)



**Warranty:** One Year (Limited)

#### Performance Data:

- Pressure: 20 - 125 psi
- Temperature: 40 °F - 140 °F
- Flow Rate: 14.37 GPM @ 60 psi



**ADA Compliant**

#### Optional Handles

- 4" Wrist Action
- Lever (Standard)
- 4-Arm

#### Optional Cartridges With Checks

- Quarter-Turn Cerama w/ Check Valve
- Quarter-Turn Eterna w/ Spring Check (Standard)



**T&S BRASS AND BRONZE WORKS, INC.**



• 2 Saddleback Cove • Travelers Rest, SC 29690  
 Ph 800-476-4103 • Fax 864-834-3518  
 • Simi Valley, CA • Ph 800-423-0150 • www.tsbrass.com

Date: 08/24/16