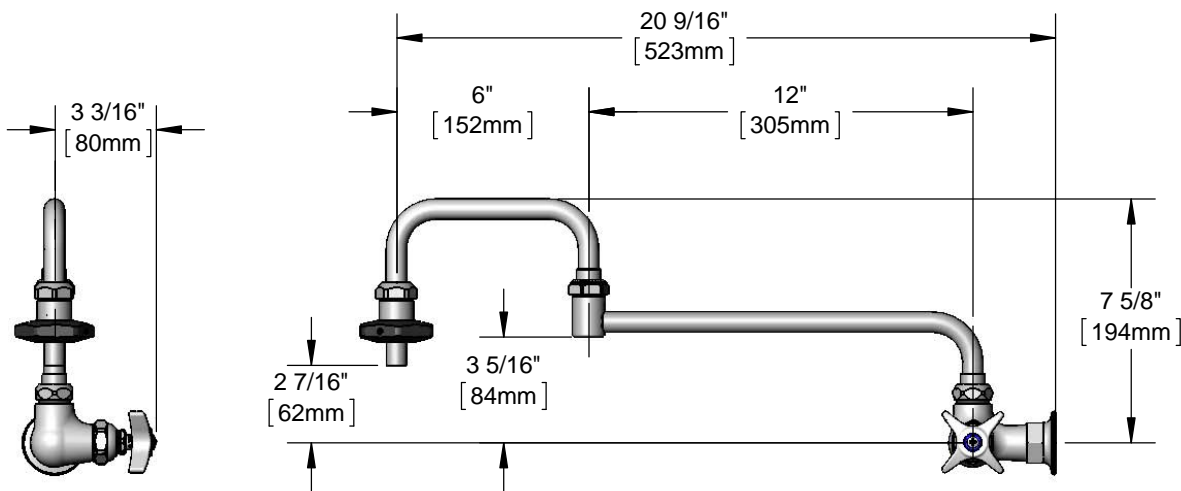
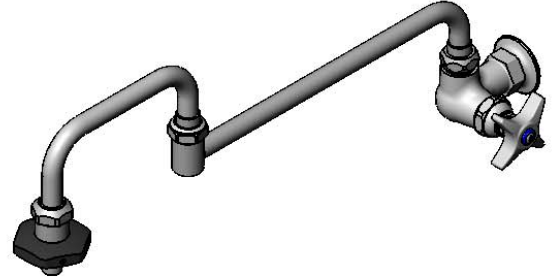




#### Architect/Engineering Specifications:

Single temperature wall mounted pot filler faucet with polished chrome plated brass body, 18" double joint swing nozzle, on-off volume control outlet with insulated grip, compression cartridge w/ 2.0 GPM flow control, 4-arm handle and 1/2" NPT female inlet. Certified to ASME A112.18.1/CSA B125.1, NSF 61-Section 9 and NSF 372.

Job Name \_\_\_\_\_  
 Model Specified \_\_\_\_\_ Quantity \_\_\_\_\_  
 Variations Specified \_\_\_\_\_  
 Date \_\_\_\_\_



#### Features & Benefits:

- Single temperature wall mounted pot filler faucet
- 18" double joint swing nozzle
- 2.0 GPM flow control
- On-off volume control outlet with insulated grip
- Eterna compression cartridge
- 4-arm handle with blue index
- 1/2" NPSM female inlet with Ø2" wall flange
- Material: Polished chrome plated brass body & tubular nozzle and heat resistant thermoplastic handle

#### Product Compliance:

- ASME A112.18.1 / CSA B125.1
- NSF 61 - Section 9
- NSF 372 (Low Lead Content)



**Warranty:** One Year (Limited)

#### Performance Data:

- Pressure: 20 - 125 psi
- Temperature: 40 °F - 140 °F
- Flow Rate: 2.0 GPM @ 60 psi

#### Optional Handles

- 4" Wrist Action
- Lever
- 4-Arm (Standard)

#### Optional Cartridges

- Quarter-Turn Cerama
- Eterna (Standard)
- Quarter-Turn Eterna

