



Architect/Engineering Specifications:

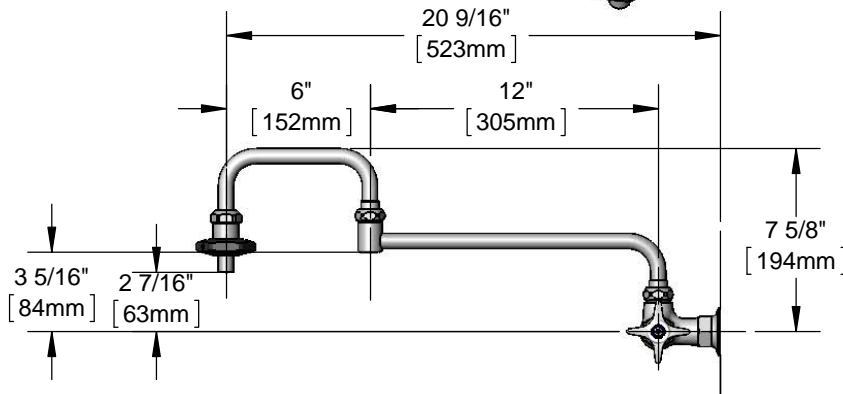
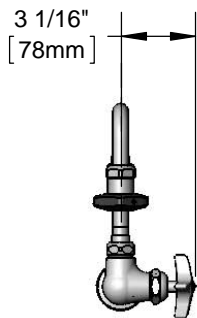
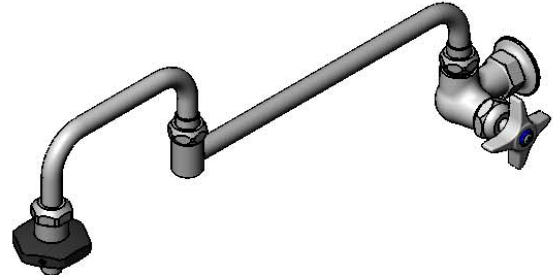
Wall mount pot filler with chrome plated brass body, single control, double joint swing nozzle, on-off volume control outlet with insulated grip, ceramic cartridge, 4-arm handle and 1/2" NPT female inlet. Certified to ASME A112.18.1/CSA B125.1, NSF 61-Section 9 and NSF 372.

Job Name _____

Model Specified _____ Quantity _____

Variations Specified _____

Date _____



Features & Benefits:

- Wall mount, single control pot filler
- Double joint swing nozzle
- On-off volume control outlet with insulated grip
- Quarter-turn Cerama cartridge
- 4-arm handle w/ blue index
- 1/2" NPT female inlet with ϕ 2" wall flange
- Material: Polished chrome plated brass body and tubular spouts, chrome plated metal handle

Product Compliance:

- ASME A112.18.1 / CSA B125.1
- NSF 61 - Section 9
- NSF 372 (Low Lead Content)



Warranty: One Year (Limited)



Performance Data:

- Pressure: 20 - 125 psi
- Temperature: 40 °F - 140 °F
- Flow Rate: 4.17 GPM @ 60 psi

Optional Handles

- 4" Wrist Action
- Lever
- 4-Arm (Standard)

Optional Cartridges

- Quarter-Turn Cerama (Standard)
- Eterna
- Quarter-Turn Eterna

