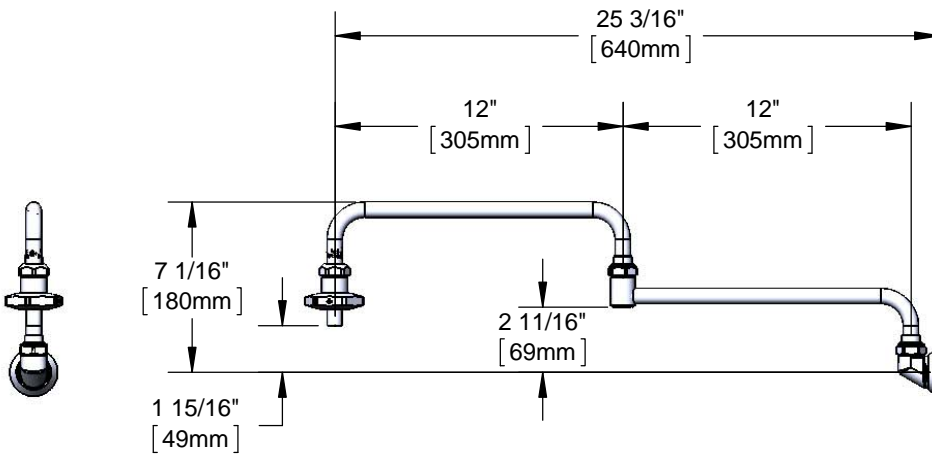
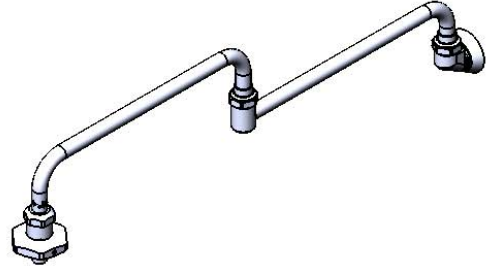




Architect/Engineering Specifications:

Wall mount pot filler with chrome plated brass body, 24" double joint swing nozzle, on-off volume control outlet with insulated grip, 1/2" NPT female inlet. Certified to ASME A112.18.1/CSA B125.1, NSF 61-Section 9 and NSF 372.

Job Name \_\_\_\_\_  
 Model Specified \_\_\_\_\_ Quantity \_\_\_\_\_  
 Variations Specified \_\_\_\_\_  
 Date \_\_\_\_\_



Features & Benefits:

- Wall mount pot filler w/ chrome plated brass body
- 24" double joint swing nozzle with 12" back nozzle and 12" front nozzle
- On-off volume control outlet with insulated grip
- 1/2" NPT female inlet
- Ø2" wall flange
- Material: Polished chrome plated brass body & tubular spouts

Product Compliance:

- ASME A112.18.1 / CSA B125.1
- NSF 61 - Section 9
- NSF 372 (Low Lead Content)



Warranty: One Year (Limited)



Performance Data:

- Pressure: 20 - 125 psi
- Temperature: 40°F - 140°F
- Flow Rate: 12.30 GPM @ 60 psi

