



# Rigid and Swivel Gooseneck Spouts

## B-0520-F20

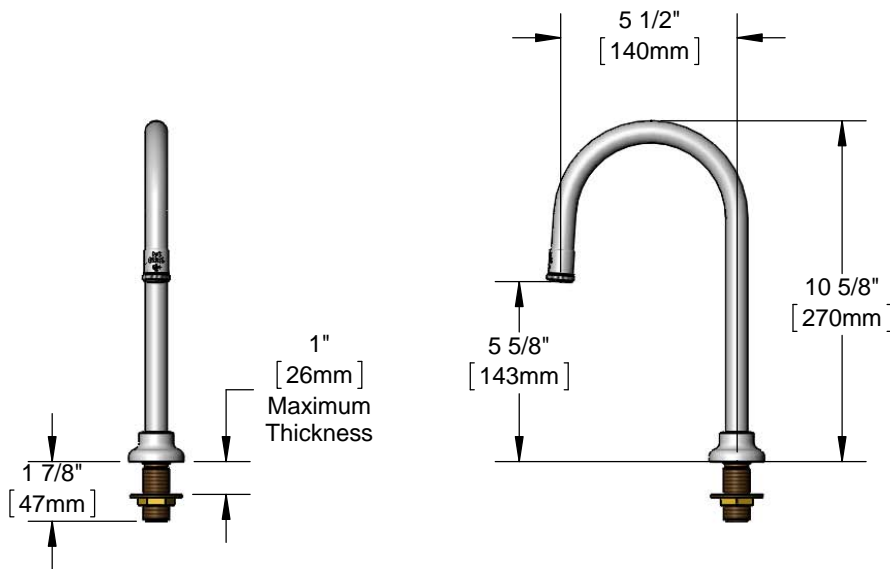
TAG:

### Rigid Gooseneck Spout

#### Architect/Engineering Specifications:

Deck mount rigid gooseneck with polished chrome plated brass deck flange and gooseneck, 2.0 GPM flow control in shank and 1/2" NPSM male inlet. Certified to ASME A112.18.1/CSA B125.1, NSF 61-Section 9 and NSF 372.

Job Name \_\_\_\_\_  
 Model Specified \_\_\_\_\_ Quantity \_\_\_\_\_  
 Variations Specified \_\_\_\_\_  
 Date \_\_\_\_\_



#### Features & Benefits:

- Deck mount rigid dummy gooseneck for remote locations
- 5 1/2" rigid gooseneck
- 2.0 GPM flow control in shank
- 1/2" NPSM male inlet w/  $\varnothing$ 2" flange
- Tailpiece and nut for 1/4" NPT male connection
- Material: Polished chrome plated brass flange & tubular spout

#### Product Compliance:

- ASME A112.18.1 / CSA B125.1
- NSF 61 - Section 9
- NSF 372 (Low Lead Content)
- 

**Warranty:** One Year (Limited)

#### Performance Data:

- Pressure: 20 - 125 psi
- Temperature: 40°F - 140°F
- Flow Rate: 2.0 GPM @ 60 psi



T&S BRASS AND BRONZE WORKS, INC.



• 2 Saddleback Cove • Travelers Rest, SC 29690  
 Ph 800-476-4103 • Fax 864-834-3518  
 • Simi Valley, CA • Ph 800-423-0150 • www.tsbrass.com

Date: 07/23/16