



# Foot and Knee Pedal Valves

## B-0509

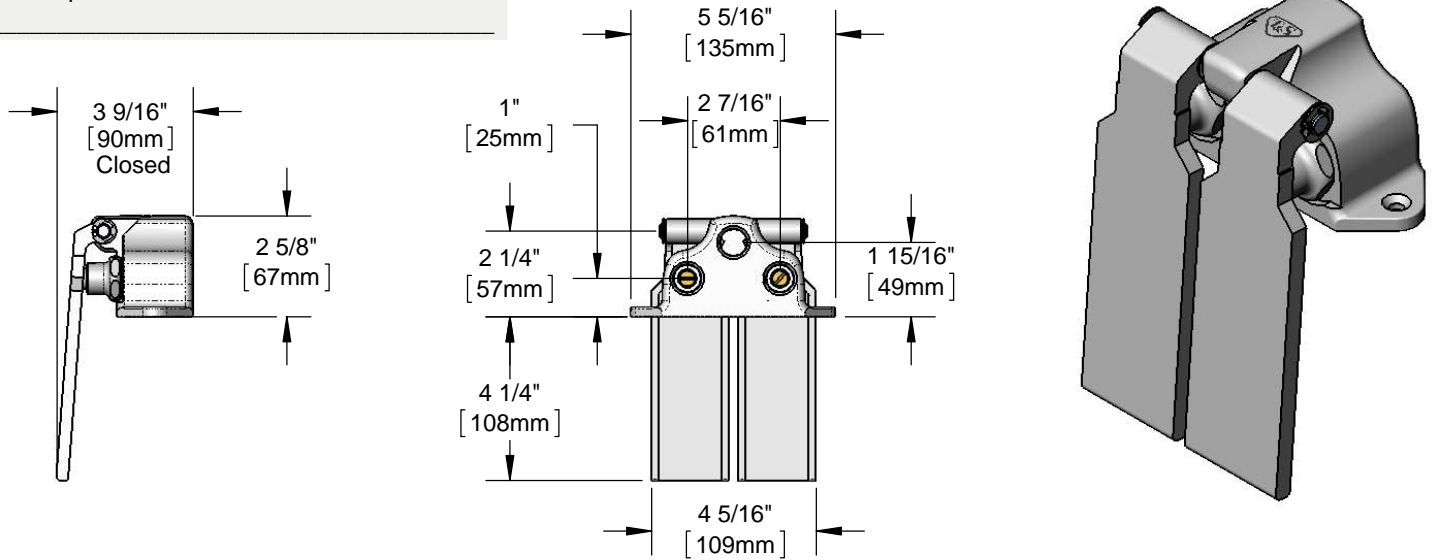
TAG:

### Double Knee Pedal Valve

#### Architect/Engineering Specifications:

Horizontal surface mount double knee pedal valve with polished chrome plated solid brass body and aluminum pedals, self-closing valves, 1/2" NPT female inlets and outlet and mounting screws. Certified to ASME A112.18.1/CSA B125.1, NSF 61-Section 9 and NSF 372.

Job Name _____
Model Specified _____ Quantity _____
Variations Specified _____
Date _____



#### Features & Benefits:

- Horizontal surface mount double pedal valve
- Aluminum knee pedals
- Pedals flip up for cleaning
- Self-closing valves
- 1/2" NPT female inlets
- 1/2" NPT female outlet
- Includes mounting screws
- Material: Polished chrome plated brass body and aluminum knee pedals

#### Product Compliance:

- ASME A112.18.1 / CSA B125.1
- NSF 61 - Section 9
- NSF 372 (Low Lead Content)
- 



**Warranty:** One Year (Limited)

#### Performance Data:

- Pressure: 20 - 125 psi
- Temperature: 40°F - 140°F
- Flow Rate: 12.00 GPM @ 60 psi

#### Optional Cartridges

- Metering Cartridge



**T&S BRASS AND BRONZE WORKS, INC.**



• 2 Saddleback Cove • Travelers Rest, SC 29690  
 Ph 800-476-4103 • Fax 864-834-3518  
 • Simi Valley, CA • Ph 800-423-0150 • www.tsbrass.com

Date: 02/16/15