



# Foot and Knee Pedal Valves

## B-0507-509PDL

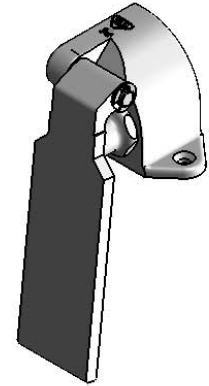
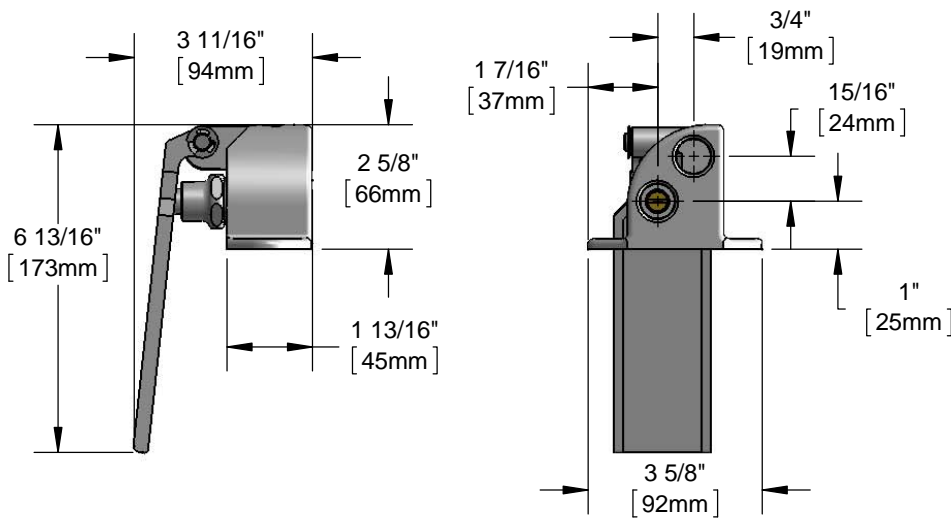
TAG:

### Single Pedal Valve

#### Architect/Engineering Specifications:

Horizontal surface mounted single knee pedal valve with polished chrome plated solid brass body, aluminum pedal, self-closing valve, 1/2" NPT female inlet and outlet and mounting screws. Certified to ASME A112.18.1/CSA B125.1, NSF 61-Section 9 and NSF 372.

Job Name _____	
Model Specified _____	Quantity _____
Variations Specified _____	
Date _____	



#### Features & Benefits:

- Horizontal surface mount single pedal valve
- Aluminum Knee pedal
- Pedal flips up for floor cleaning
- Self-closing valve
- 1/2" NPT female inlet
- 1/2" NPT female outlet
- Mounting screws included
- Material: Polished chrome brass body & aluminum knee pedal

#### Product Compliance:

- ASME A112.18.1 / CSA B125.1
- NSF 61 - Section 9
- NSF 372 (Low Lead Content)

**Warranty:** One Year (Limited)

#### Performance Data:

- Pressure: 20 - 125 psi
- Temperature: 40 °F - 140 °F
- Flow Rate: 10.20 GPM @ 60 psi



#### Optional Cartridges

- Metering Cartridge



T&S BRASS AND BRONZE WORKS, INC.



• 2 Saddleback Cove • Travelers Rest, SC 29690  
 Ph 800-476-4103 • Fax 864-834-3518  
 • Simi Valley, CA • Ph 800-423-0150 • www.tsbrass.com

Date: 05/07/16