



Foot Pedal Valves

B-0504-537K

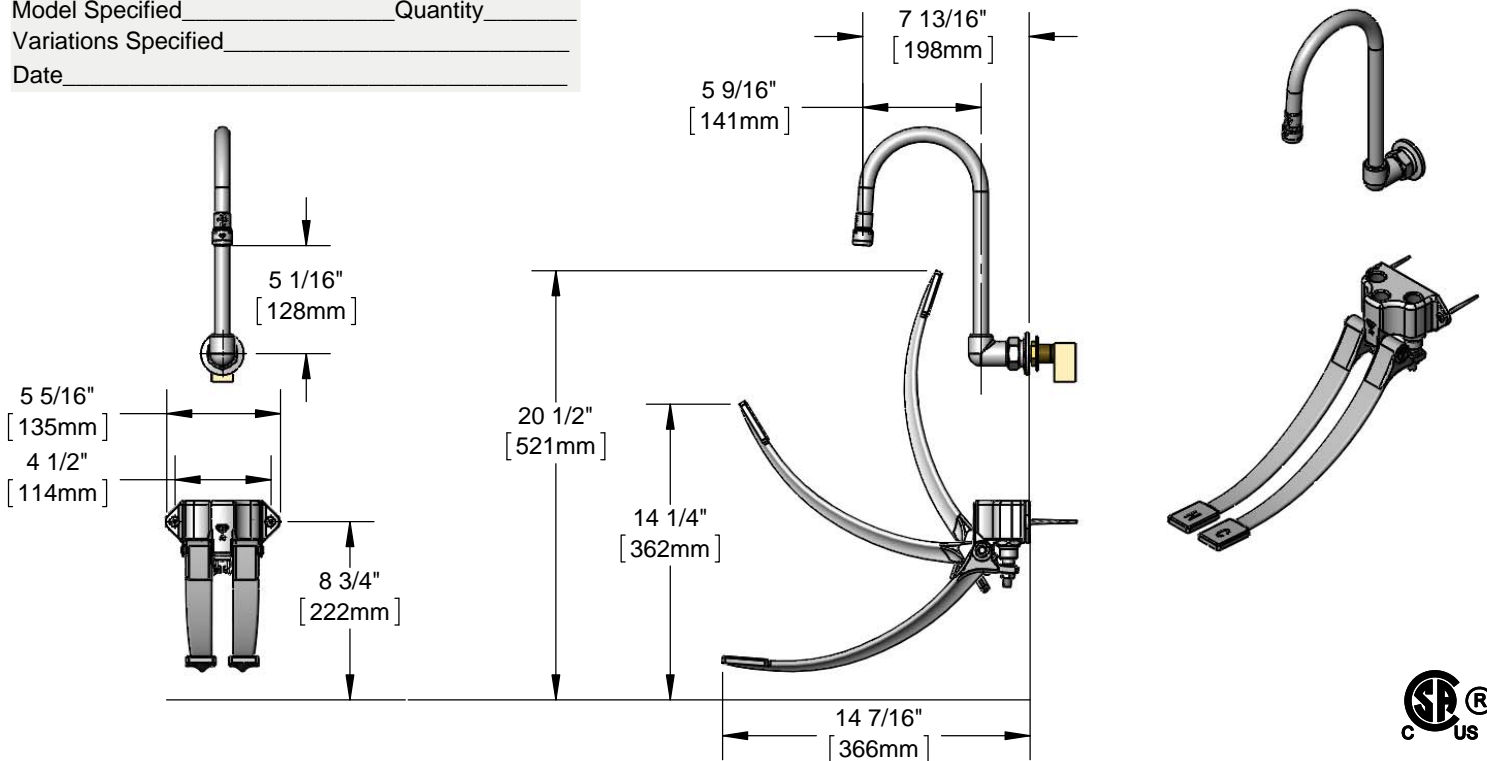
TAG:

Double Pedal Valve and Dummy Gooseneck

Architect/Engineering Specifications:

Floor mounted double pedal valve, rigid dummy gooseneck, polished chrome plated brass body and gooseneck with 2.2 GPM aerator, 1/2" NPT female inlet and adjustable wall flange. Certified to ASME A112.18.1/CSA B125.1, NSF 61-Section 9 and NSF 372.

Job Name _____
 Model Specified _____ Quantity _____
 Variations Specified _____
 Date _____



Features & Benefits:

- Floor mounted double pedal valve w/ polished chrome plated brass body
- Wall mount rigid dummy gooseneck for remote locations
- 2.2 GPM aerator, Series 2 (B-0199-02)
- 1/2" NPT female inlets and outlet
- $\varnothing 2$ " adjustable wall flange
- Material: Polished chrome plated brass elbow, pedal valve & tubular spout

Product Compliance:

- ASME A112.18.1 / CSA B125.1
- NSF 61 - Section 9
- NSF 372 (Low Lead Content)

Warranty: One Year (Limited)

Performance Data:

- Pressure: 20 - 125 psi
- Temperature: 40 °F - 140 °F
- Flow Rate: 2.2 GPM @ 60 psi



Optional Outlets (Series 2 / VR Series 7)

| GPM | Aerated | Non-Aerated (Laminar) | VR Aerated | VR Non-Aerated (VR Laminar) |
|------|--|---|--|---|
| 0.35 | N/A | <input type="checkbox"/> B-0199-02-N035 | N/A | <input type="checkbox"/> B-0199-07-N035 |
| 0.5 | N/A | <input type="checkbox"/> B-0199-02-N05 | N/A | <input type="checkbox"/> B-0199-07-N05 |
| 1.0 | <input type="checkbox"/> B-0199-02-F10 | N/A | <input type="checkbox"/> B-0199-07-F10 | N/A |
| 1.2 | <input type="checkbox"/> B-0199-02-F12 | N/A | <input type="checkbox"/> B-0199-07-F12 | N/A |
| 1.5 | <input type="checkbox"/> B-0199-02-WS | N/A | <input type="checkbox"/> B-0199-07-WS | N/A |
| 2.2 | Standard | N/A | <input type="checkbox"/> B-0199-07 | N/A |



T&S BRASS AND BRONZE WORKS, INC.



• 2 Saddleback Cove • Travelers Rest, SC 29690
 Ph 800-476-4103 • Fax 864-834-3518
 • Simi Valley, CA • Ph 800-423-0150 • www.tsbrass.com

Date: 08/24/16