



Foot Pedal Valves

B-0502-BT

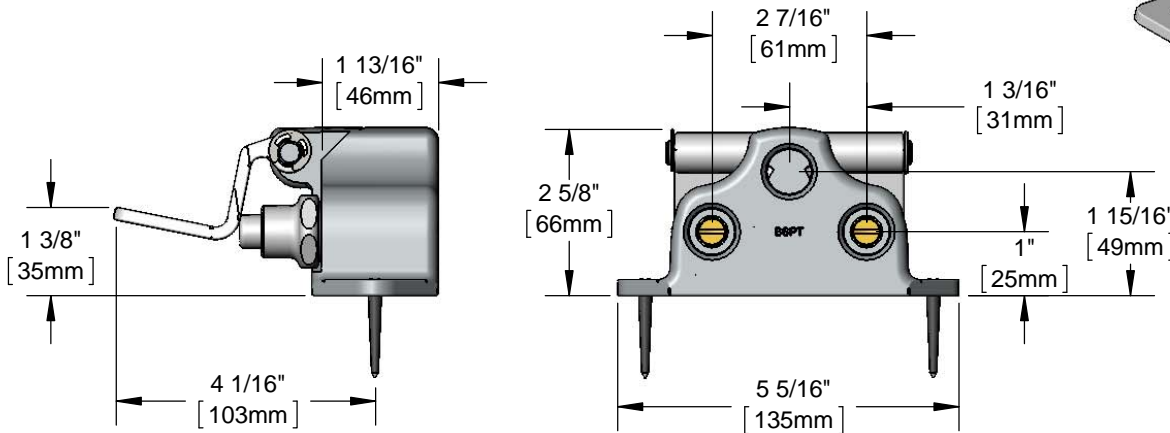
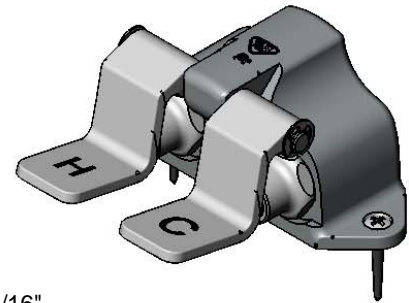
TAG:

Double Pedal Valve

Architect/Engineering Specifications:

Floor mount double pedal valve with polished chrome plated solid brass body and pedals, slow close cartridges, 1/2" BSPT female inlets and outlet and mounting screws. Certified to ASME A112.18.1/CSA B125.1, NSF 61-Section 9 and NSF 372.

Job Name _____
 Model Specified _____ Quantity _____
 Variations Specified _____
 Date _____



Features & Benefits:

- Floor mount double pedal valve
- Hot and cold pedals
- Pedals flip up for floor cleaning
- Slow close cartridges
- 1/2" BSPT female inlets
- 1/2" BSPT female outlet
- Mounting screws included
- Material: Polished chrome plated brass body and pedals

Product Compliance:

- ASME A112.18.1 / CSA B125.1
- NSF 61 - Section 9
- NSF 372 (Low Lead Content)



Warranty: One Year (Limited)

Performance Data:

- Pressure: 20 - 125 psi
- Temperature: 40 °F - 140 °F
- Flow Rate: 12.00 GPM @ 60 psi



T&S BRASS AND BRONZE WORKS, INC.



• 2 Saddleback Cove • Travelers Rest, SC 29690
 Ph 800-476-4103 • Fax 864-834-3518
 • Simi Valley, CA • Ph 800-423-0150 • www.tsbrass.com

Date: 02/29/16