



Foot Pedal Valves

B-0502-537K

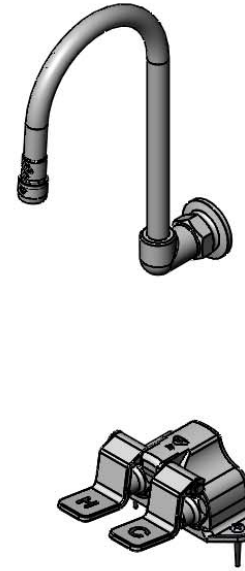
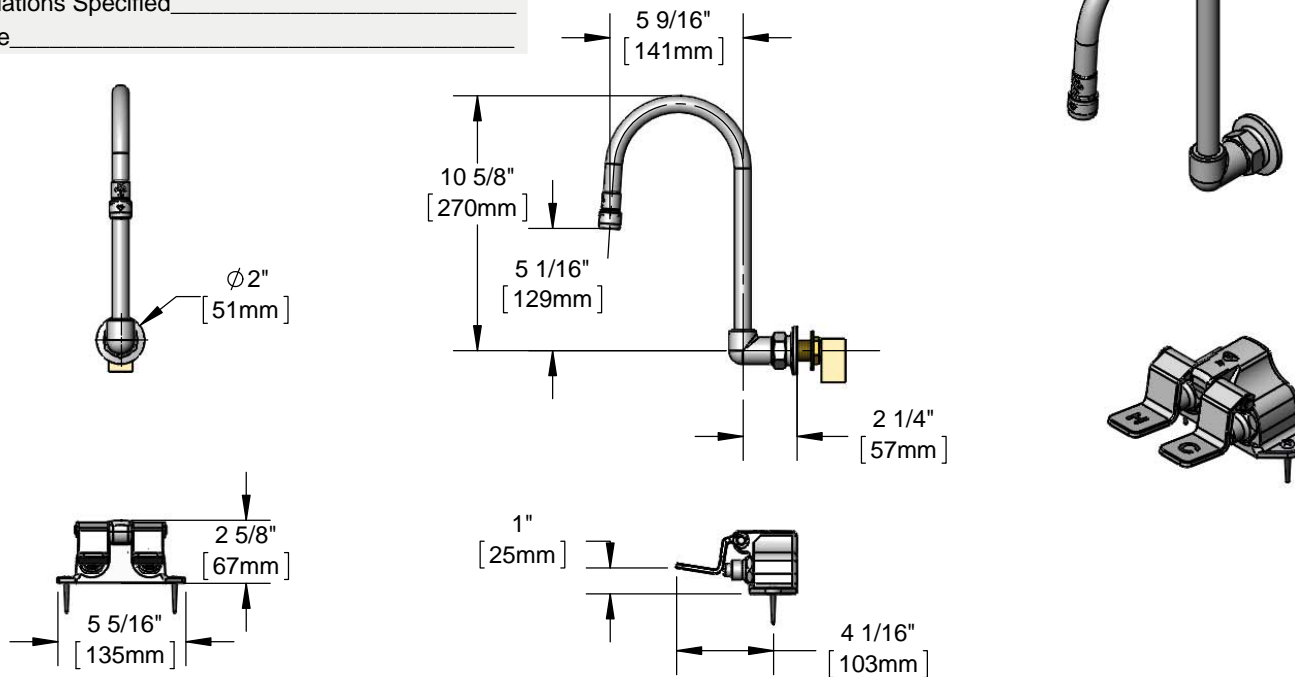
TAG:

Double Pedal Valve and Dummy Gooseneck

Architect/Engineering Specifications:

Floor mounted double pedal valve, rigid dummy gooseneck, polished chrome plated brass body and gooseneck with 2.2 GPM aerator, 1/2" NPT female inlet and adjustable wall flange. Certified to ASME A112.18.1/CSA B125.1, NSF 61-Section 9 and NSF 372.

Job Name _____
 Model Specified _____ Quantity _____
 Variations Specified _____
 Date _____



Features & Benefits:

- Floor mounted double pedal valve w/ polished chrome plated brass body
- Wall mount rigid dummy gooseneck for remote locations
- 2.2 GPM aerator, Series 2 (B-0199-02)
- 1/2" NPT female inlets and outlet
- $\phi 2$ " adjustable wall flange
- Material: Polished chrome plated brass elbow, pedal valve & tubular spout

Product Compliance:

- EPA 2005 Non-Compliant (PRSV)
- NSF 61 - Section 9
- NSF 372 (Low Lead Content)

Warranty: One Year (Limited)

Performance Data:

- Pressure: 20 - 125 psi
- Temperature: 40 °F - 140 °F
- Flow Rate: 2.2 GPM @ 60 psi

Optional Outlets (Series 2 / VR Series 7)

GPM	Aerated	Non-Aerated (Laminar)	VR Aerated	VR Non-Aerated (VR Laminar)
0.35	N/A	<input type="checkbox"/> B-0199-02-N035	N/A	<input type="checkbox"/> B-0199-07-N035
0.5	N/A	<input type="checkbox"/> B-0199-02-N05	N/A	<input type="checkbox"/> B-0199-07-N05
1.0	<input type="checkbox"/> B-0199-02-F10	N/A	<input type="checkbox"/> B-0199-07-F10	N/A
1.2	<input type="checkbox"/> B-0199-02-F12	N/A	<input type="checkbox"/> B-0199-07-F12	N/A
1.5	<input type="checkbox"/> B-0199-02-WS	N/A	<input type="checkbox"/> B-0199-07-WS	N/A
2.2	Standard	N/A	<input type="checkbox"/> B-0199-07	N/A



T&S BRASS AND BRONZE WORKS, INC.



• 2 Saddleback Cove • Travelers Rest, SC 29690
 Ph 800-476-4103 • Fax 864-834-3518
 • Simi Valley, CA • Ph 800-423-0150 • www.tsbrass.com

Date: 08/24/16