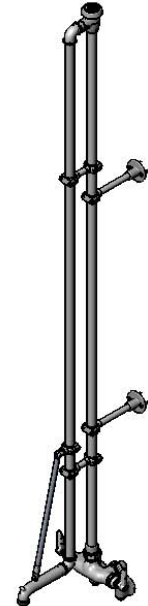
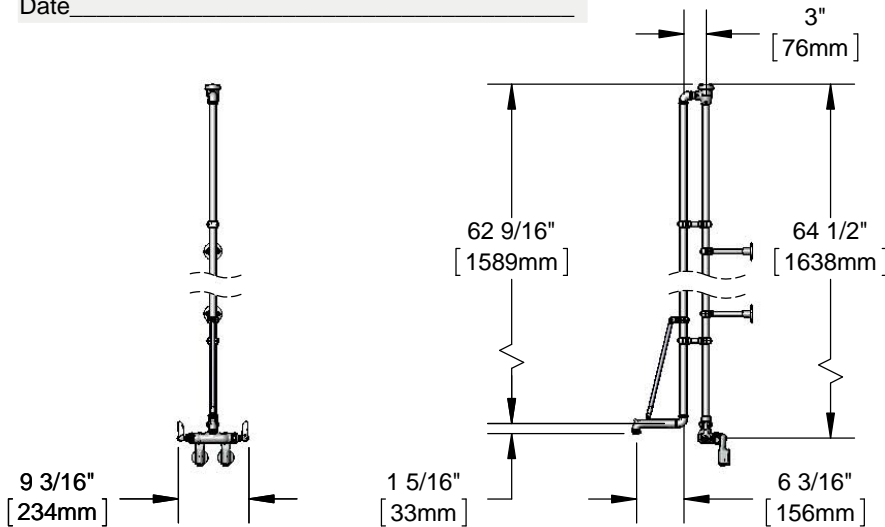




Architect/Engineering Specifications:

Adjustable inlet wall mount mixing faucet with polished chrome plated brass body, polished chrome plated brass spout with pail hook and garden hose male outlet and top support rod, compression cartridges with spring checks, lever handles, 5' elevated atmospheric vacuum breaker, (2) wall brackets and 1/2" NPT female adjustable inlets with built-in service stops. Certified to ASME A112.18.1/CSA B125.1, NSF 61 section-9, NSF 372, and ASSE 1001. Meets ADA ANSI/ICC A117.1 requirements.

Job Name _____
 Model Specified _____ Quantity _____
 Variations Specified _____
 Date _____



Features & Benefits:

- Adjustable inlet wall mount mixing faucet with polished chrome plated brass body
- Spout w/ pail hook, garden hose male outlet and top support rod
- Eterna compression cartridges w/ spring checks to prevent cross flow of water
- Lever handles w/ color coded indexes
- 5' elevated atmospheric vacuum breaker
- (2) wall brackets
- 1/2" NPT female adjustable arm inlets w/ Ø2" flanges w/ built-in service stops
- Adjustable centers from 2 1/4" to 8 1/4", above & below centerline
- Material: polished chrome plated brass body, chrome plated brass spout and chrome plated metal handle

Product Compliance:

- ASME A112.18.1 / CSA B125.1
- NSF 61 - Section 9
- NSF 372 (Low Lead Content)
- ANSI A117.1 (ADA)
- ASSE 1001 (VB)

Warranty: One Year (Limited)

Performance Data:

- Pressure: 20 - 125 psi
- Temperature: 40 °F - 140 °F
- Flow Rate: 14.37 GPM @ 60 psi



ADA Compliant



Optional Handles

- 4" Wrist Action
- Lever (Standard)
- 4-Arm

Optional Cartridges With Checks

- Quarter -Turn Cerama w/ Check Valve
- Quarter-Turn Eterna w/ Spring Check (Standard)

