



# Foot And Knee Peddle Valves

## B-0475-LKS

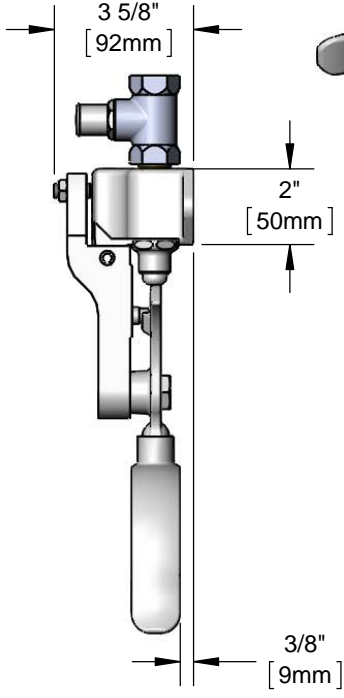
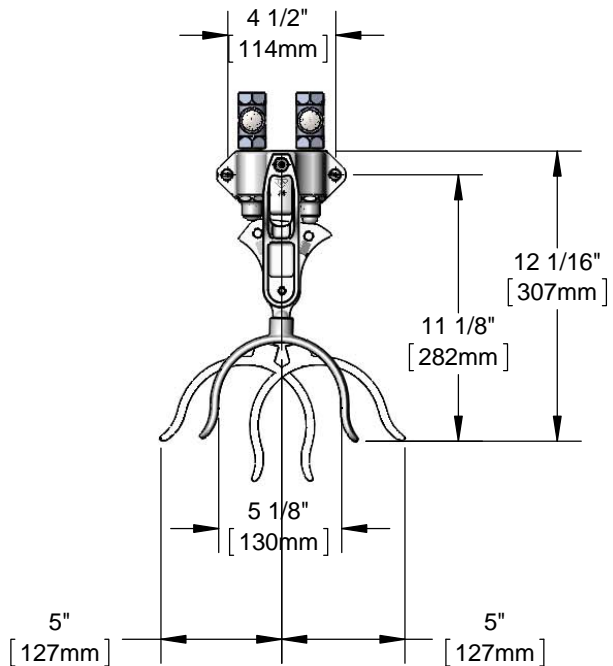
TAG:

### Knee Action Valve

#### Architect/Engineering Specifications:

Knee action valve with polished chrome plated brass body, loose key stops, 1/2" NPT outlet, self-closing cartridges, polished chrome plated stirrup, 1/2" NPT hot and cold inlets. Certified to ASME A112.18.1/CSA B125.1, NSF 61-Section 9 and NSF 372.

Job Name \_\_\_\_\_  
 Model Specified \_\_\_\_\_ Quantity \_\_\_\_\_  
 Variations Specified \_\_\_\_\_  
 Date \_\_\_\_\_



#### Features & Benefits:

- Knee action valve with polished chrome plated brass body (will remain in set position for hot, cold or mixed water)
- Loose key stops
- 1/2" NPT outlet
- Self-closing cartridges
- Polished chrome plated stirrup
- 1/2" NPT hot and cold inlets
- Material: Polished chrome plated brass body & stirrup

#### Product Compliance:

- ASME A112.18.1 / CSA B125.1
- NSF 61 - Section 9
- NSF 372 (Low Lead Content)

**Warranty:** One Year (Limited)

#### Performance Data:

- Pressure: 20 - 125 psi
- Temperature: 40 °F - 140 °F
- Flow Rate: 4.26 GPM @ 60 psi



**T&S BRASS AND BRONZE WORKS, INC.**



• 2 Saddleback Cove • Travelers Rest, SC 29690  
 Ph 800-476-4103 • Fax 864-834-3518  
 • Simi Valley, CA • Ph 800-423-0150 • www.tsbrass.com

Date: 12/16/16