



Architect/Engineering Specifications:

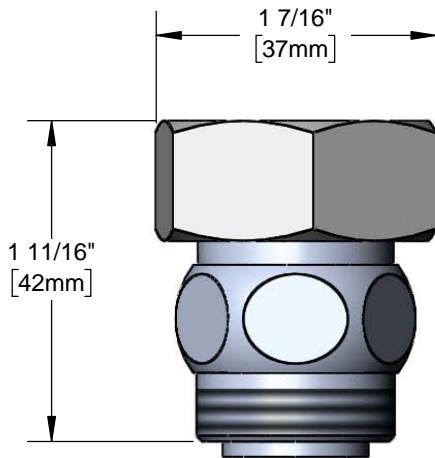
Wall mount faucet adapter for T&S faucet to Chicago/Zurn inlets, 1 3/8" swivel hex nut with internal threads to fit T&S faucet body and 1 1/8" hex on body. Certified to ASME A112.18.1/CSA B125.1, NSF 61-Section 9 and NSF 372.

Job Name _____

Model Specified _____ Quantity _____

Variations Specified _____

Date _____



Features & Benefits:

- Wall mount faucet adapter for T&S faucet to Chicago/Zurn inlets
- 1 3/8" swivel hex nut with internal threads to fit T&S faucet body
- 1 1/8" hex on body
- (2) faucet adapters w/ seals
- Material: Polished chrome plated brass

Product Compliance:

- ASME A112.18.1 / CSA B125.1
- NSF 61 - Section 9
- NSF 372 (Low Lead Content)

Warranty: One Year (Limited)

Performance Data:

- N/A

