



Architect/Engineering Specifications:

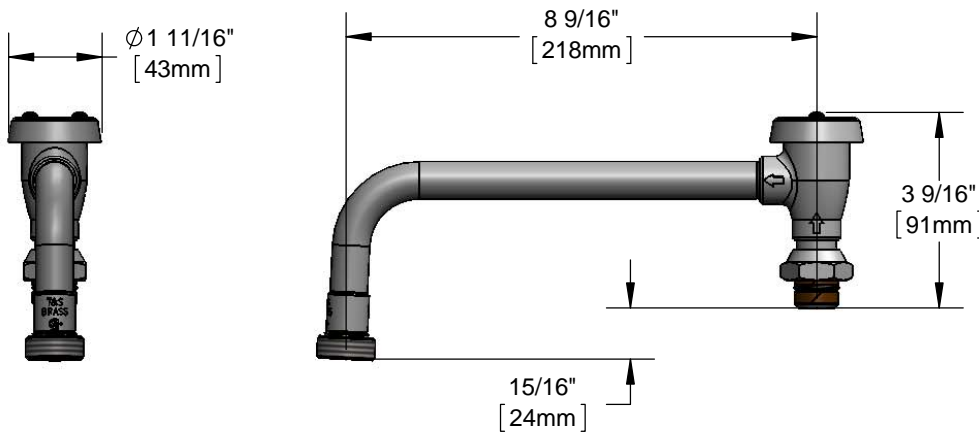
Swing nozzle with polished chrome plated brass riser and nozzle, atmospheric vacuum breaker and garden hose adapter outlet. Certified to ASME A112.18.1/CSA B125.1, NSF 61-Section 9, NSF 372 and ASSE 1001.

Job Name _____

Model Specified _____ Quantity _____

Variations Specified _____

Date _____



Features & Benefits:

- Polished chrome plated brass swing nozzle
- 3/8" NPT female atmospheric vacuum breaker not for continuous pressure
- 8 9/16" swing nozzle
- Garden hose adapter, Series 2
- Material: Polished chrome plated brass tubular nozzle and riser

Product Compliance:

- ASME A112.18.1 / CSA B125.1
- NSF 61 - Section 9
- NSF 372 (Low Lead Content)
- ASSE 1001 (VB)

Warranty: One Year (Limited)

Performance Data:

- Pressure: 20 - 125 psi
- Temperature: 40 °F - 140 °F
- Flow Rate: 12.80 GPM @ 60 psi



Optional Outlets (Series 2 / VR Series 7)

| GPM | Aerated | Non-Aerated (Laminar) | VR Aerated | VR Non-Aerated (VR Laminar) |
|------|--|---|--|---|
| 0.35 | N/A | <input type="checkbox"/> B-0199-02-N035 | N/A | <input type="checkbox"/> B-0199-07-N035 |
| 0.5 | N/A | <input type="checkbox"/> B-0199-02-N05 | N/A | <input type="checkbox"/> B-0199-07-N05 |
| 1.0 | <input type="checkbox"/> B-0199-02-F10 | N/A | <input type="checkbox"/> B-0199-07-F10 | N/A |
| 1.5 | <input type="checkbox"/> B-0199-02-WS | N/A | <input type="checkbox"/> B-0199-07-WS | N/A |
| 2.2 | <input type="checkbox"/> B-0199-02 | N/A | <input type="checkbox"/> B-0199-07 | N/A |

