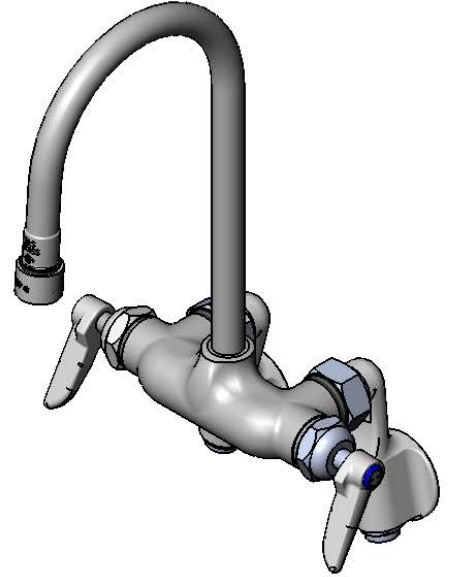
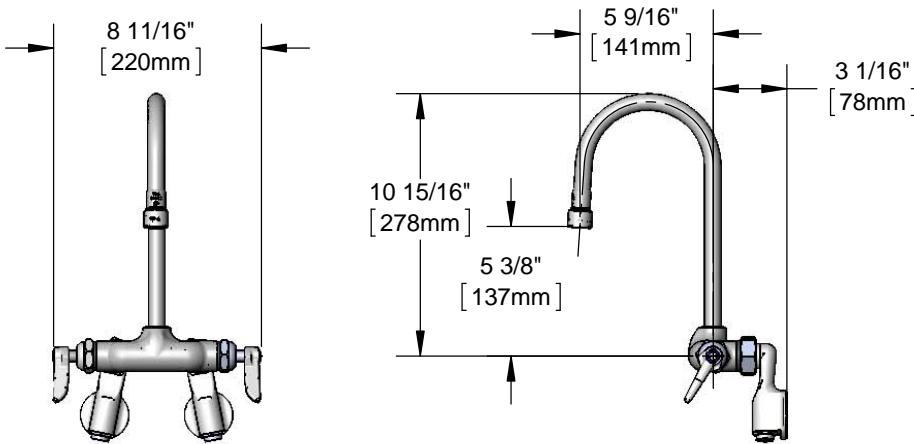




Architect/Engineering Specifications:

Adjustable wall mount mixing faucet with polished chrome plated brass body, 5 9/16" rigid gooseneck with 1.0 GPM vandal resistant aerator, ceramic cartridges, solid brass chrome plated lever handles, vandal resistant screws and 1/2" NPT female inlets. Certified to ASME A112.18.1/CSA B125.1, NSF 61-Section 9 and NSF 372. Meets ADA ANSI/ICC A117.1 requirements.

Job Name _____
 Model Specified _____ Quantity _____
 Variations Specified _____
 Date _____



Features & Benefits:

- Adjustable wall mount mixing faucet with polished chrome plated brass body
- 5 9/16" rigid gooseneck
- 1.0 GPM vandal resistant aerator, Series 7 (B-0199-07-F10)
- Quarter-turn Cerama cartridges
- Solid brass chrome plated lever handles w/ vandal resistant screws and color coded indexes
- 1/2" NPT female inlets w/ Ø2" flanges
- Integral screw stops
- adjustable centers from 2 1/4" to 8 1/4"
- Material: Polished chrome plated brass body & tubular spout and chrome plated brass handles

Product Compliance:

- ASME A112.18.1 / CSA B125.1
- NSF 61 - Section 9
- NSF 372 (Low Lead Content)
- ANSI A117.1 (ADA)



Warranty: One Year (Limited)

- Cerama Cartridge: Lifetime (Limited)

Performance Data:

- Pressure: 20 - 125 psi
- Temperature: 40 °F - 180 °F
- Flow Rate: 1.0 GPM @ 60 psi



ADA Compliant

Optional Outlets (Series 2 / VR Series 7)

GPM	Aerated	Non-Aerated (Laminar)	VR Aerated	VR Non-Aerated (VR Laminar)
0.35	N/A	<input type="checkbox"/> B-0199-02-N035	N/A	<input type="checkbox"/> B-0199-07-N035
0.5	N/A	<input type="checkbox"/> B-0199-02-N05	N/A	<input type="checkbox"/> B-0199-07-N05
1.0	<input type="checkbox"/> B-0199-02-F10	N/A	Standard	N/A
1.5	<input type="checkbox"/> B-0199-02-WS	N/A	<input type="checkbox"/> B-0199-07-WS	N/A
2.2	<input type="checkbox"/> B-0199-02	N/A	<input type="checkbox"/> B-0199-07	N/A

Optional Handles

- 4" Wrist Action
- Lever
- 4-Arm

Optional Cartridges

- Quarter-Turn Cerama (Standard)
- Eterna
- Quarter-Turn Eterna

