



# Rigid Sink and Pantry Faucets

TAG:

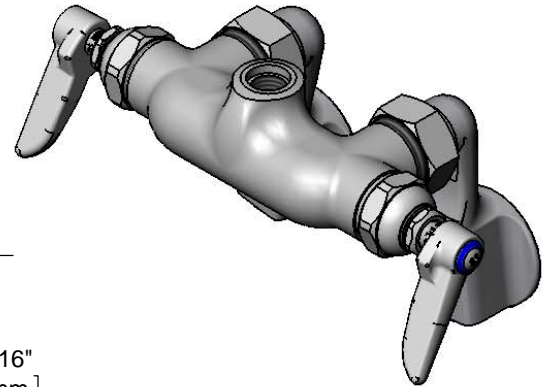
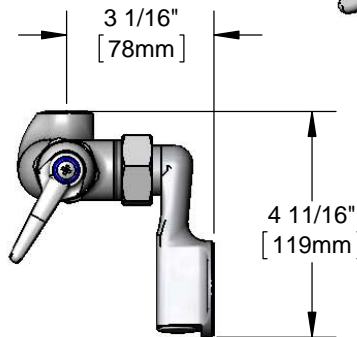
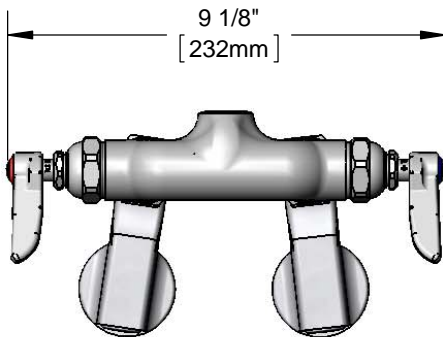
## B-0340-LN

## Double Pantry Faucet

### Architect/Engineering Specifications:

Wall mount mixing faucet with polished chrome plated brass body, rigid outlet (less nozzle), compression cartridges, lever handles and 1/2" NPT female adjustable inlets. Certified to ASME A112.18.1/CSA B125.1, NSF 61-Section 9 and NSF 372. Meets ADA ANSI/ICC A117.1 requirements.

Job Name \_\_\_\_\_  
 Model Specified \_\_\_\_\_ Quantity \_\_\_\_\_  
 Variations Specified \_\_\_\_\_  
 Date \_\_\_\_\_



### Features & Benefits:

- Adjustable inlet wall mount mixing faucet with polished chrome plated brass body
- 3/8" NPT female outlet accepts T&S rigid goosenecks
- Eterna compression cartridges
- Lever handles w/ color coded indexes
- 1/2" NPT female adjustable arm inlets w/ Ø2" flanges
- Adjustable centers from 2 1/4" to 8 1/4" above or below centerline
- Material: Polished chrome plated brass body, chrome plated tubular spout and chrome plated metal handles

### Product Compliance:

- ASME A112.18.1 / CSA B125.1
- NSF 61 - Section 9
- NSF 372 (Low Lead Content)
- ANSI A117.1 (ADA)



**Warranty:** One Year (Limited)



### Performance Data:

- Pressure: 20 - 125 psi
- Temperature: 40°F - 140°F
- Flow Rate: 15.70 GPM @ 60 psi  
(Outlet Device &/or Final Configuration May Reduce Flow Rate)



### Optional Outlets (Series 2 / VR Series 7)

GPM	Aerated	Non-Aerated (Laminar)	VR Aerated	VR Non-Aerated (VR Laminar)
0.35	N/A	<input type="checkbox"/> B-0199-02-N035	N/A	<input type="checkbox"/> B-0199-07-N035
0.5	N/A	<input type="checkbox"/> B-0199-02-N05	N/A	<input type="checkbox"/> B-0199-07-N05
1.0	<input type="checkbox"/> B-0199-02-F10	N/A	<input type="checkbox"/> B-0199-07-F10	N/A
1.5	<input type="checkbox"/> B-0199-02-WS	N/A	<input type="checkbox"/> B-0199-07-WS	N/A
2.2	<input type="checkbox"/> B-0199-02	N/A	<input type="checkbox"/> B-0199-07	N/A

### T&S Rigid Goosenecks (D x K)

- 119X 2 5/8" x 5 1/4" Rigid Gooseneck
- 120X 5 1/2" x 5 1/4" Rigid Gooseneck
- 122X 5 1/2" x 6 1/2" Rigid Gooseneck
- 123X 5 1/2" x 7 1/2" Rigid Gooseneck
- 129X 8 1/2" x 5 7/16" Rigid Gooseneck
- 165X 4 1/16" x 5 13/16" Rigid Gooseneck

### Optional Handles

- 4" Wrist Action
- Lever (Standard)
- 4-Arm

### Optional Cartridges

- Quarter-Turn Cerama
- Eterna (Standard)
- Quarter-Turn Eterna



T&S BRASS AND BRONZE WORKS, INC.



• 2 Saddleback Cove • Travelers Rest, SC 29690  
 Ph 800-476-4103 • Fax 864-834-3518  
 • Simi Valley, CA • Ph 800-423-0150 • www.tsbrass.com

Date: 02/29/16