



Rigid Sink and Pantry Faucets

B-0320-LN

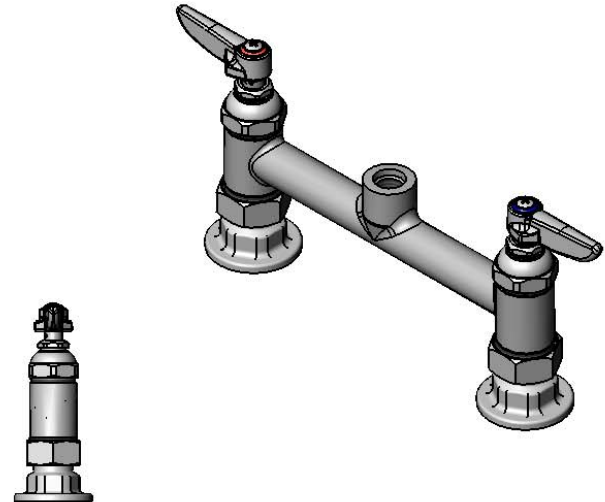
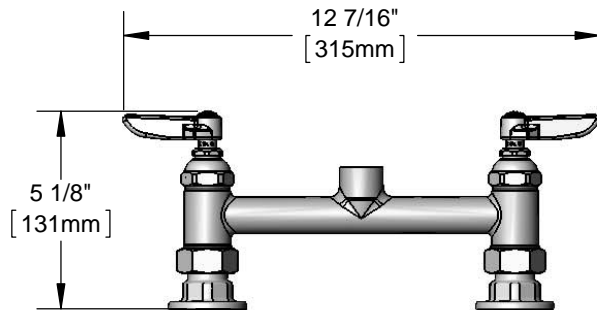
TAG:

Double Pantry Faucet

Architect/Engineering Specifications:

8" deck mount mixing faucet with polished chrome plated brass body, 3/8" NPT rigid outlet (less nozzle), compression cartridges, lever handles and 1/2" NPT female inlets. Certified to ASME A112.18.1/CSA B125.1, NSF 61-Section 9 and NSF 372. Meets ADA ANSI/ICC A117.1 requirements.

Job Name _____
 Model Specified _____ Quantity _____
 Variations Specified _____
 Date _____



Features & Benefits:

- 8" deck mount mixing faucet with polished chrome plated brass body
- 3/8" NPT female outlet accepts T&S rigid goosenecks
- Eterna compression cartridges
- Lever handles w/ color coded indexes
- 1/2" NPT female eccentric inlets w/ Ø2" flanges
- Adjustable centers from 7 3/4" to 8 1/4"
- Material: Polished chrome plated brass body and chrome plated metal handles

Product Compliance:

- ASME A112.18.1 / CSA B125.1
- NSF 61 - Section 9
- NSF 372 (Low Lead Content)
- ANSI A117.1 (ADA)



Warranty: One Year (Limited)

Performance Data:

- Pressure: 20 - 125 psi
- Temperature: 40 °F - 140 °F
- Flow Rate: 28.63 GPM @ 60 psi



(Outlet Device &/or Final Configuration May Reduce Flow Rate)

T&S Rigid Goosenecks (D x K)

- 119X 2 5/8" x 5 1/4" Rigid Gooseneck
- 120X 5 1/2" x 5 1/4" Rigid Gooseneck
- 122X 5 1/2" x 6 1/2" Rigid Gooseneck
- 123X 5 1/2" x 7 1/2" Rigid Gooseneck
- 129X 8 1/2" x 5 7/16" Rigid Gooseneck
- 165X 4 1/16" x 5 13/16" Rigid Gooseneck

Optional Handles

- 4" Wrist Action
- Lever (Standard)
- 4-Arm

Optional Cartridges

- Quarter-Turn Cerama
- Eterna (Standard)
- Quarter-Turn Eterna



T&S BRASS AND BRONZE WORKS, INC.



• 2 Saddleback Cove • Travelers Rest, SC 29690
 Ph 800-476-4103 • Fax 864-834-3518
 • Simi Valley, CA • Ph 800-423-0150 • www.tsbrass.com

Date: 06/22/16