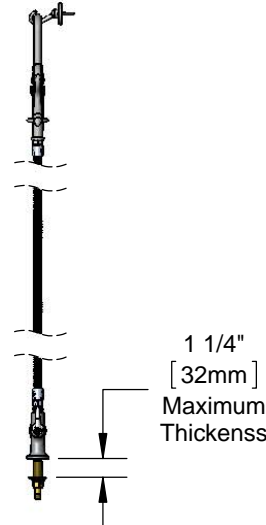
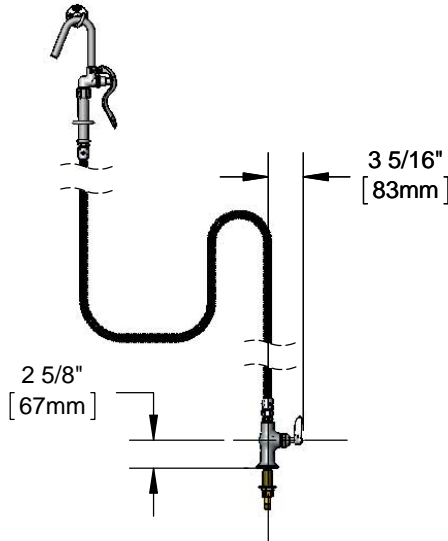
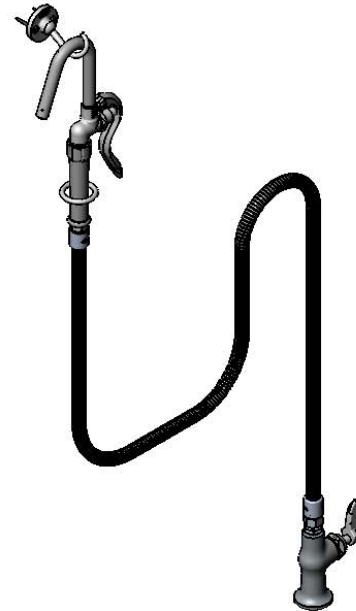




Architect/Engineering Specifications:

Single hole deck mount mixing faucet with polished chrome plated brass body, rigid outlet adapter, 68" flexible stainless steel hose, heat resistant handle, self closing pot filler valve with hook nozzle, ceramic cartridge, lever handle, 1/2" NPSM male outlet and wall hook. ASME A112.18.1 / CSA B125.1, NSF 61-Section 9 and NSF 372.

| | |
|----------------------------|----------------|
| Job Name _____ | |
| Model Specified _____ | Quantity _____ |
| Variations Specified _____ | |
| Date _____ | |



Features & Benefits:

- Single hole deck mount mixing faucet w/ polished chrome plated brass body
- Rigid to hose outlet adapter
- 68" flexible stainless steel hose w/ heat resistant gray handle and hold down ring
- Self closing pot filler valve with hook nozzle
- Quarter-turn Cerama cartridge
- Lever handle w/ blue color coded index
- 1/2" NPSM male outlet
- Wall hook holds spray valve when not in use
- Material: Polished chrome plated brass body and spray valve body, stainless steel hose and chrome plated metal handle.

Product Compliance:

- ASME A112.18.1 / CSA B125.1
- NSF 61 - Section 9
- NSF 372 (Low Lead Content)



Warranty: One Year (Limited)

- Cerama Cartridge: Lifetime (Limited)

Performance Data:

- Pressure: 20 - 125 psi
- Temperature: 40 °F - 140 °F
- Flow Rate: 5.27 GPM @ 60 psi

Optional Handles

- 4" Wrist Action
- Lever (Standard)
- 4-Arm

Optional Cartridges

- Quarter-Turn Cerama (Standard)
- Quarter-Turn Eterna
- Eterna

