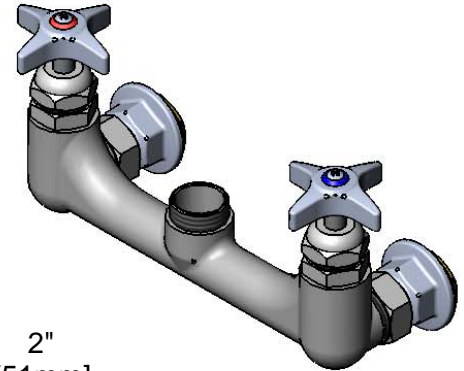
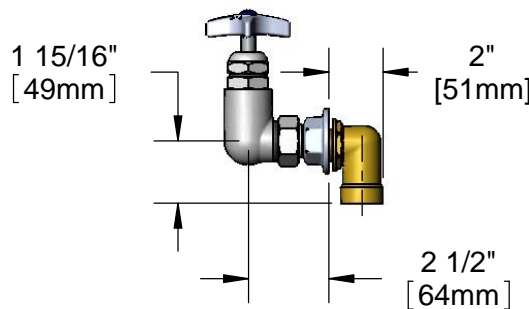
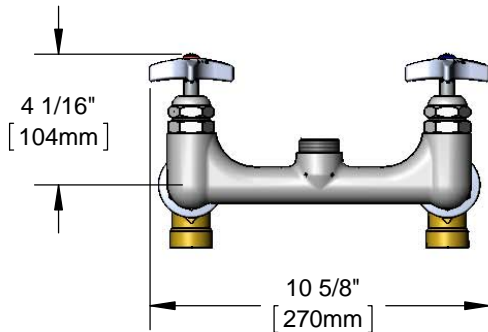




Architect/Engineering Specifications:

8" wall mount large flow mixing faucet with polished chrome plated brass body, swivel outlet (less nozzle), compression spindles, 4-arm handles, 3/4" NPT female inlets and 3/4" NPT female short inlet elbows. Certified to ASME A112.18.1/CSA B125.1, NSF 61-Section 9 and NSF 372. Meets ADA ANSI/ICC A117.1 requirements.

Job Name _____
 Model Specified _____ Quantity _____
 Variations Specified _____
 Date _____



Features & Benefits:

- 8" wall mount Big-Flo mixing faucet w/ polished chrome plated brass body
- Swivel outlet accepts T&S Big-Flo swing nozzles
- Big-Flo compression spindles
- 4-arm handles w/ color coded indexes
- 3/4" NPT female eccentric flanged inlets w/ Ø 2" flanges
- Adjustable centers from 7 3/4" to 8 1/4"
- 3/4" NPT female short inlet elbows
- Material: Polished chrome plated brass body & tubular spout and chrome plated metal handles

Product Compliance:

- ASME A112.18.1 / CSA B125.1
- NSF 61 - Section 9
- NSF 372 (Low Lead Content)
- ANSI A117.1 (ADA)



Warranty: One Year (Limited)



Performance Data:

- Pressure: 20 - 125 psi
- Temperature: 40°F - 140°F
- Flow Rate: 46.36 GPM @ 60 psi
(Outlet Device &/or Final Configuration May Reduce Flow Rate)



Big-Flo Swing Nozzles

- 110X 8" Swing Nozzle
- 112X 10" Swing Nozzle
- 114X 12" Swing Nozzle
- 014462-40 14" Swing Nozzle
- 015297-40 16" Swing Nozzle
- 115X 18" Swing Nozzle
- BF-0178-A 18 1/2" Double Joint Swing Nozzle
- 116X 24" Double Joint Swing Nozzle

Big-Flo Swivel Goosenecks (D x K)

- BF-0135X 6 1/16" x 8" Swivel Gooseneck
- BF-0136X 6 1/16" x 12 1/4" Swivel Gooseneck

