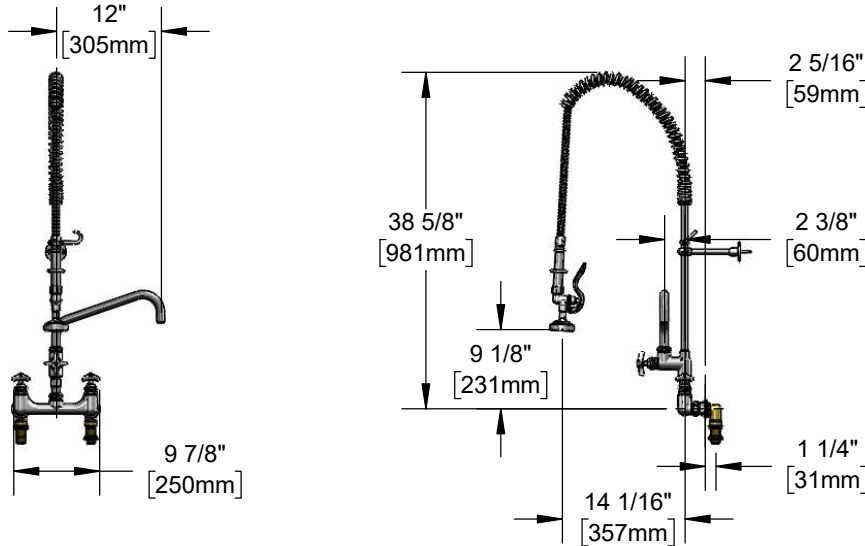




Architect/Engineering Specifications:

8" wall mount large flow mixing faucet with polished chrome plated brass body, add-on faucet with compression spindle and 4-arm handle, 12" plain end swing nozzle, 18" riser, 44" flexible stainless steel hose with heat resistant handle, 1.42 GPM spray valve, compression spindles, 4-arm handles, 3/4" male inlets, check valves in body, spray valve holder, 6" adjustable wall bracket and overhead spring. Certified to ASME A112.18.1/CSA B125.1, NSF 61-Section 9 and NSF 372. EPAAct 2005 compliant.

Job Name _____
 Model Specified _____ Quantity _____
 Variations Specified _____
 Date _____



Features & Benefits:

- 8" wall mount Big-Flo mixing faucet w/ polished chrome plated brass body
- EasyInstall add-on Big-Flo faucet w/ polished chrome plated brass body
- 12" Big-Flo plain end swing nozzle
- 18" riser
- 44" flexible stainless steel hose w/ heat resistant gray handle and hold down ring
- 1.42 GPM spray valve
- Big-Flo compression spindles
- 4-arm handles w/ color coded indexes
- 3/4" NPT female eccentric inlets with Ø 2" flanges with 3/4" NPT female inlet elbows & 3/4" NPT male inlets
- Adjustable centers from 7 3/4" to 8 1/4"
- Check valves in body to prevent cross flow of water
- 6" adjustable wall bracket
- Material: Polished chrome plated brass body, add-on faucet body, tubular spout, riser & spray valve body, stainless steel hose, and chrome plated metal handles

Product Compliance:

- ASME A112.18.1 / CSA B125.1
- NSF 61 - Section 9
- NSF 372 (Low Lead Content)
- EPAAct 2005 (PRSV)



Warranty: Three Year (Limited)

Performance Data:

- Pressure: 20 - 125 psi
- Temperature: 40 °F - 140 °F
- Flow Rate:
 - Spray Valve: 1.42 GPM @ 60 psi
 - Add-On Faucet: 29.55 GPM @ 60 psi

Optional Pre-Rinse Spray Valves

- B-0107 (1.42 GPM) (Standard)
- B-0107-C (0.65 GPM)
- B-0107-J (1.07 GPM)
- B-0108 (1.07 GPM)
- B-0108-C (0.65 GPM)

