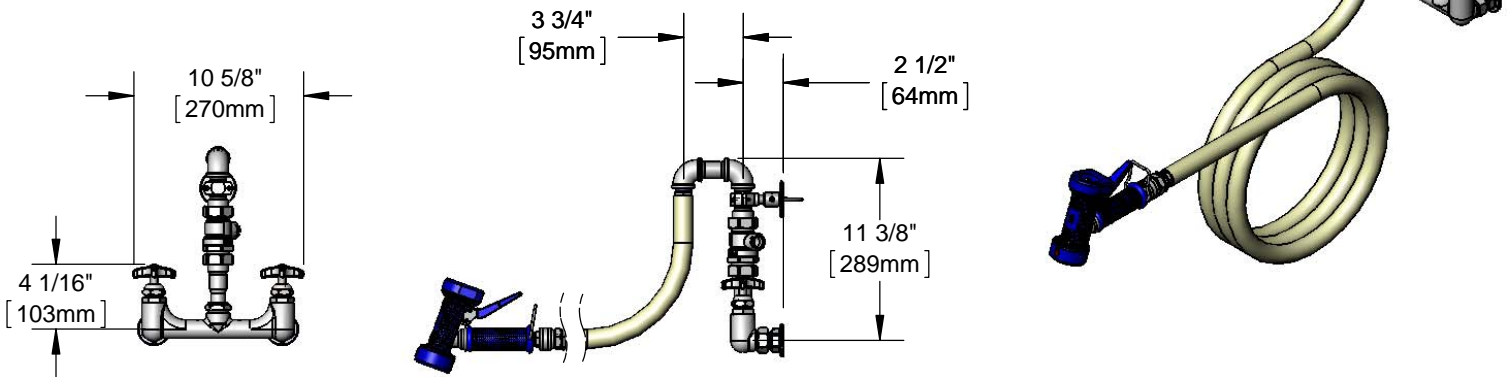




#### Architect/Engineering Specifications:

8" wall mount large flow mixing faucet with polished chrome plated brass body, 10' white creamery hose, quick disconnect, rear trigger water gun, compression cartridges, integral check valves, 4-arm handles and 3/4" NPT female inlets. Certified to ASME A112.18.1/CSA B125.1.

Job Name	_____		
Model Specified	_____	Quantity	_____
Variations Specified	_____		
Date	_____		



#### Features & Benefits:

- 8" wall mount Big-Flo mixing faucet with polished chrome plated brass body
- 10' white creamery hose w/ quick disconnect
- Rear trigger water gun
- Big-Flo compression cartridges
- Integral check valves
- 4-arm handles w/ color coded indexes
- 3/4" NPT female eccentric inlets w/ Ø 2" flanges
- Adjustable centers from 7 3/4" to 8 1/4"
- Material: Polished chrome plated brass body & tubular spouts and chrome plated metal handles

#### Product Compliance:

- ASME A112.18.1 / CSA B125.1
- NSF 61 Exempt (Non-Potable)



**Warranty:** One Year (Limited)

#### Performance Data:

- Pressure: 20 - 125 psi
- Temperature: 40°F - 140°F
- Flow Rate: 6.03 GPM @ 60 psi

