



Swivel Sink and Pantry Faucets

B-0235-12FS-35A

TAG:

Double Pantry Faucet

Architect/Engineering Specifications:

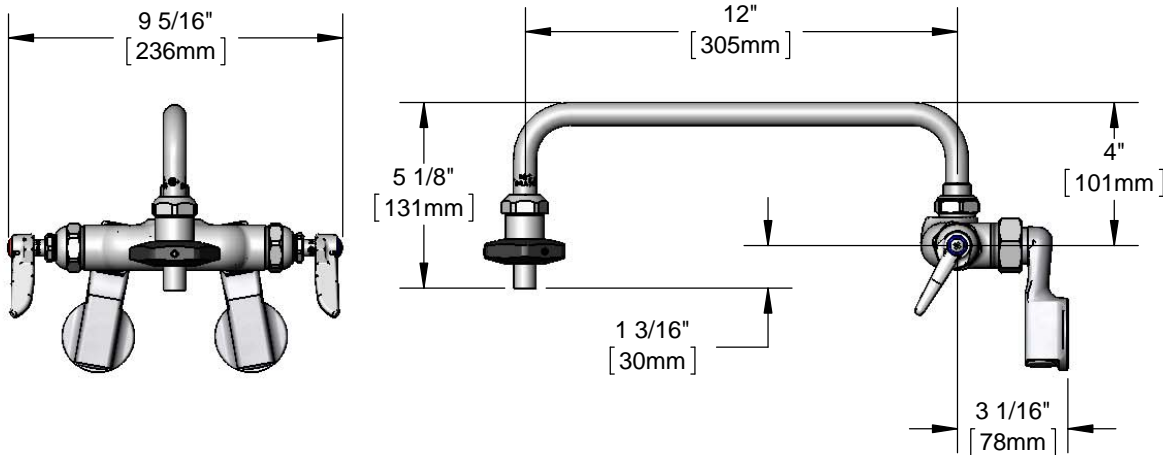
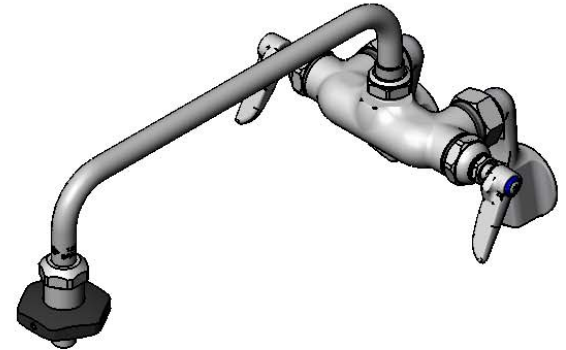
Wall mount mixing faucet with polished chrome plated brass body, 12" double joint front section, on-off volume control outlet, compression cartridges, lever handles and 1/2" NPT female adjustable inlets. Certified to ASME A112.18.1/CSA B125.1, NSF 61-Section 9 and NSF 372.

Job Name _____

Model Specified _____ Quantity _____

Variations Specified _____

Date _____



Features & Benefits:

- Adjustable inlet wall mount mixing faucet with polished chrome plated brass body
- 12" double joint front section
- On-off volume control outlet w/ insulated grip
- Quarter-turn Eterna compression cartridges
- Lever handles w/ color coded indexes
- 1/2" NPT female adjustable arm inlets w/ Ø2" flanges
- Adjustable centers from 2 1/4" to 8 1/4" above or below centerline
- Material: Polished chrome plated brass body, chrome plated tubular spout and chrome plated metal handles

Product Compliance:

- ASME A112.18.1 / CSA B125.1
- NSF 61 - Section 9
- NSF 372 (Low Lead Content)

Warranty: One Year (Limited)

Performance Data:

- Pressure: 20 - 125 psi
- Temperature: 40 °F - 140 °F
- Flow Rate: 13.30 GPM @ 60 psi

Optional Handles

- 4" Wrist Action
- Lever (Standard)
- 4-Arm

Optional Cartridges

- Quarter-Turn Cerama
- Eterna
- Quarter-Turn Eterna (Standard)



T&S BRASS AND BRONZE WORKS, INC.



• 2 Saddleback Cove • Travelers Rest, SC 29690
 Ph 800-476-4103 • Fax 864-834-3518
 • Simi Valley, CA • Ph 800-423-0150 • www.tsbrass.com

Date: 02/23/16