



Swivel Sink and Pantry Faucets

B-0226-WH4

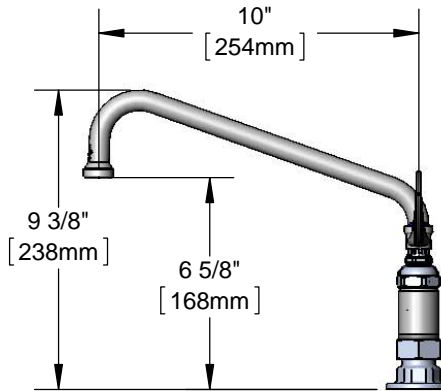
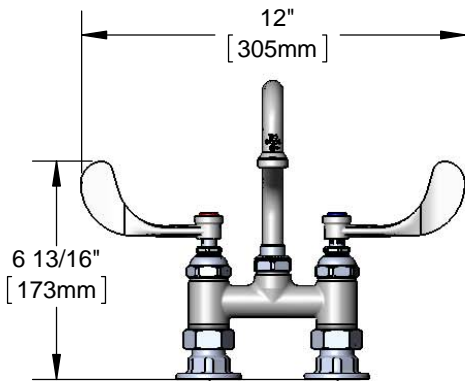
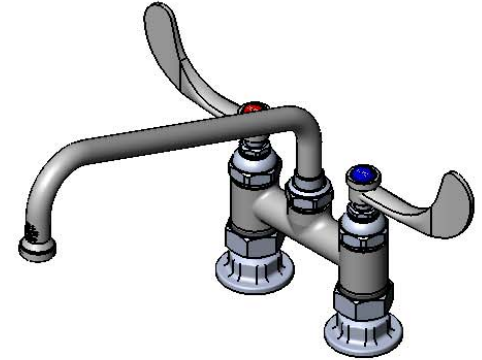
TAG:

Double Pantry Faucet

Architect/Engineering Specifications:

4" deck mount mixing faucet with polished chrome plated brass body, 10" swing nozzle with stream regulator outlet, compression cartridges, 4" wrist action handles and 1/2" NPT female inlets. Certified to ASME A112.18.1/CSA B125.1, NSF 61-Section 9 and NSF 372. Meets ADA ANSI/ICC A117.1 requirements.

Job Name _____
 Model Specified _____ Quantity _____
 Variations Specified _____
 Date _____



Features & Benefits:

- 4" deck mount mixing faucet with polished chrome plated brass body
- 10" swing nozzle
- Stream regulator outlet, Series 1
- Eterna compression cartridges
- 4" wrist action handles w/ color coded indexes
- 1/2" NPT female eccentric inlets w/ Ø 2" flanges
- Adjustable centers from 3 3/4" to 4 1/4"
- Material: polished chrome plated brass body & tubular spout and polished chrome plated metal handles

Product Compliance:

- ASME A112.18.1 / CSA B125.1
- NSF 61 - Section 9
- NSF 372 (Low Lead Content)
- ANSI A117.1 (ADA)



Warranty: One Year (Limited)

Performance Data:

- Pressure: 20 - 125 psi
- Temperature: 40 °F - 140 °F
- Flow Rate: 24.60 GPM @ 60 psi



ADA Compliant

Optional Outlets (Series 1 / VR Series 6)

| GPMAerated | Non-Aerated (Laminar) | VR Aerated | VR Non-Aerated (VR Laminar) |
|--|---|--|---|
| 0.35 N/A | <input type="checkbox"/> B-0199-01-N035 | N/A | <input type="checkbox"/> B-0199-06-N035 |
| 0.5 N/A | <input type="checkbox"/> B-0199-01-N05 | N/A | <input type="checkbox"/> B-0199-06-N05 |
| 1.0 <input type="checkbox"/> B-0199-01-F10 | N/A | <input type="checkbox"/> B-0199-06-F10 | N/A |
| 1.5 <input type="checkbox"/> B-0199-01-WS | <input type="checkbox"/> B-0199-29 | <input type="checkbox"/> B-0199-06-WS | <input type="checkbox"/> B-0199-29VR |
| 2.2 <input type="checkbox"/> B-0199-01 | <input type="checkbox"/> B-0199-21 | <input type="checkbox"/> B-0199-06 | <input type="checkbox"/> B-0199-21-VRF |

Optional Cartridges

- Quarter-Turn Cerama
- Eterna (Standard)
- Quarter-Turn Eterna

Optional Handles

- 4" Wrist Action (Standard)
- Lever
- 4-Arm



T&S BRASS AND BRONZE WORKS, INC.



• 2 Saddleback Cove • Travelers Rest, SC 29690
 Ph 800-476-4103 • Fax 864-834-3518
 • Simi Valley, CA • Ph 800-423-0150 • www.tsbrass.com

Date: 10/21/15