



# Swivel Sink and Pantry Faucets

## B-0208-CR

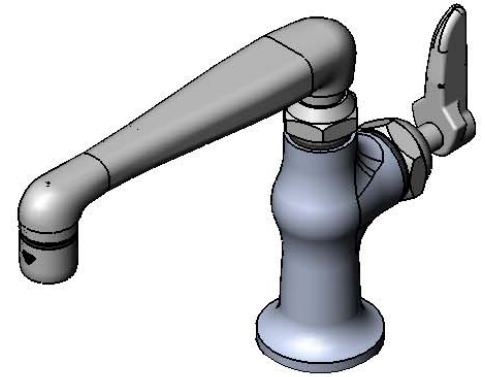
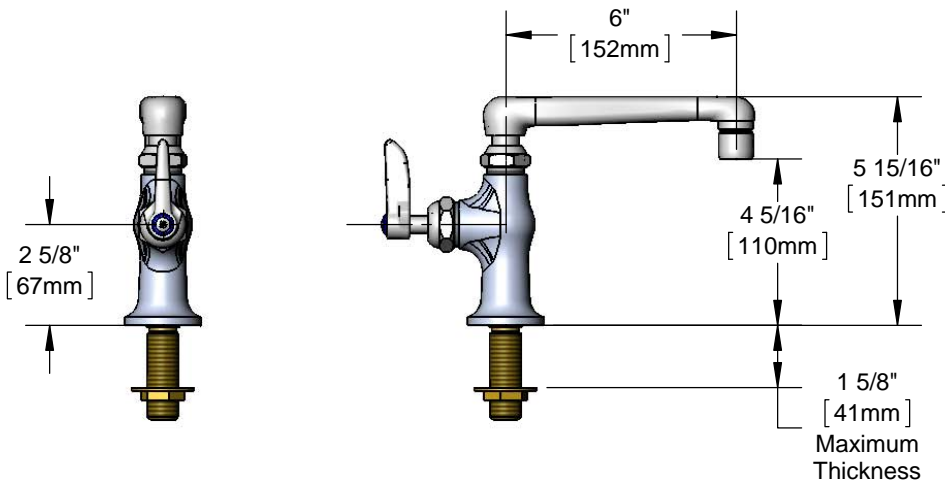
TAG:

### Single Pantry Faucet

#### Architect/Engineering Specifications:

Single hole single temperature deck mount faucet with polished chrome plated brass body, 6" cast spout with 2.2 GPM aerator, ceramic cartridge, lever handle and 1/2" NPSM male inlet. Certified to ASME A112.18.1/CSA B125.1, NSF 61-Section 9 and NSF 372. Meets ADA ANSI/ICC A117.1 requirements.

Job Name	_____		
Model Specified	_____	Quantity	_____
Variations Specified	_____		
Date	_____		



#### Features & Benefits:

- Single hole single temperature deck mount faucet w/ polished chrome plated brass body
- 6" cast spout
- 2.2 GPM aerator, Series 2 (B-0199-02)
- Quarter-Turn Cerama cartridge
- Lever handle w/ blue index
- 1/2" NPSM male inlet
- Tailpiece and nut for 1/4" NPT male connection
- Material: Polished chrome plated brass body and cast spout, and chrome plated metal handles

#### Product Compliance:

- ASME A112.18.1 / CSA B125.1
- NSF 61 - Section 9
- NSF 372 (Low Lead Content)
- ANSI A117.1 (ADA)



#### Warranty: One Year (Limited)

- Cerama Cartridge: Lifetime (Limited)



ADA Compliant

#### Performance Data:

- Pressure: 20 - 125 psi
- Temperature: 40°F - 180°F
- Flow Rate: 2.2 GPM @ 60 psi

#### Optional Outlets (Series 2 / VR Series 7)

GPM	Aerated	Non-Aerated (Laminar)	VR Aerated	VR Non-Aerated (VR Laminar)	Optional Cartridges	Optional Handles
0.35	N/A	<input type="checkbox"/> B-0199-02-N035	N/A	<input type="checkbox"/> B-0199-07-N035	<input type="checkbox"/> Quarter-Turn Cerama (Standard)	<input type="checkbox"/> 4" Wrist Action
0.5	N/A	<input type="checkbox"/> B-0199-02-N05	N/A	<input type="checkbox"/> B-0199-07-N05	<input type="checkbox"/> Eterna	<input type="checkbox"/> Lever (Standard)
1.0	<input type="checkbox"/> B-0199-02-F10	N/A	<input type="checkbox"/> B-0199-07-F10	N/A	<input type="checkbox"/> Quarter-Turn Eterna	<input type="checkbox"/> 4-Arm
1.5	<input type="checkbox"/> B-0199-02-WS	N/A	<input type="checkbox"/> B-0199-07-WS	N/A		
2.2	Standard	N/A	<input type="checkbox"/> B-0199-07	N/A		



T&S BRASS AND BRONZE WORKS, INC.



• 2 Saddleback Cove • Travelers Rest, SC 29690  
 Ph 800-476-4103 • Fax 864-834-3518  
 • Simi Valley, CA • Ph 800-423-0150 • www.tsbrass.com

Date: 10/14/15