



Architect/Engineering Specifications:

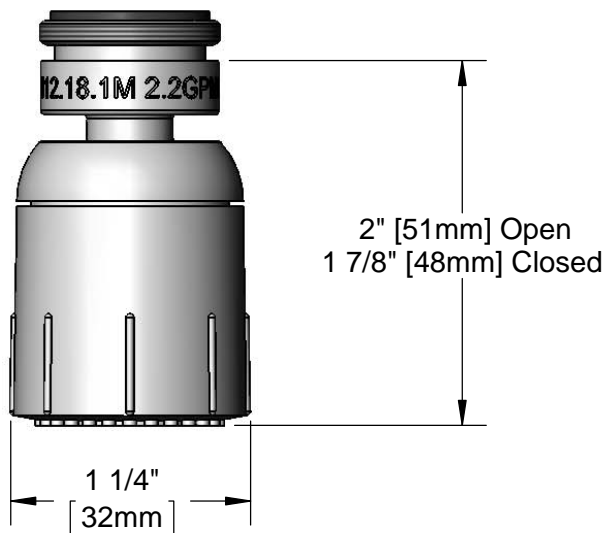
2.2 GPM swivel aerator with twist operation for stream or spray pattern, polished chrome plated brass body, 55/64-27 UN female inlet and 15/16-27 UN male adapter. Certified to ASME A112.18.1/CSA B125.1, NSF 61-Section 9 and NSF 372.

Job Name \_\_\_\_\_

Model Specified \_\_\_\_\_ Quantity \_\_\_\_\_

Variations Specified \_\_\_\_\_

Date \_\_\_\_\_



Features & Benefits:

- 2.2 GPM swivel aerator, Series 1
- Twist operation for stream or spray pattern
- 55/64-27 UN female inlet
- 15/16-27 UN male adapter included
- Fits all T&S swing nozzles
- Material: Polished chrome plated brass body

Product Compliance:

- ASME A112.18.1 / CSA B125.1
- NSF 61 - Section 9
- NSF 372 (Low Lead Content)



Warranty: One Year (Limited)

Performance Data:

- Pressure: 20 - 125 psi
- Temperature: 40 °F - 140 °F
- Flow Rate: 2.2 GPM @ 60 psi

