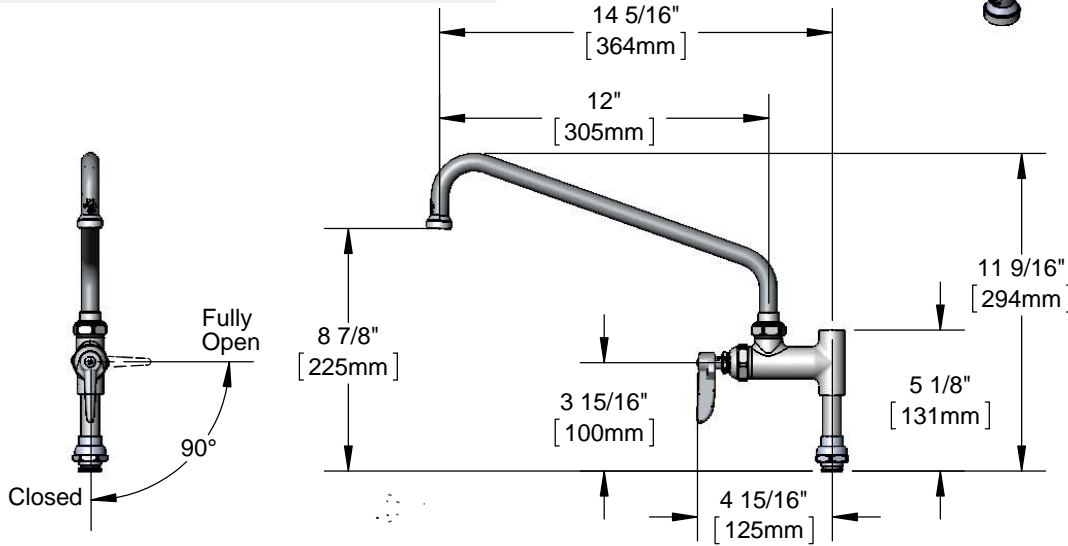
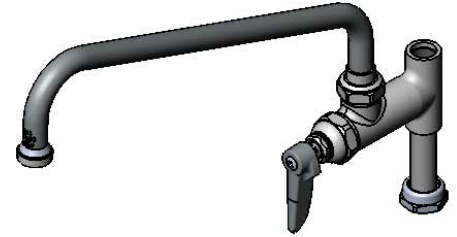




Architect/Engineering Specifications:

Add-on faucet with polished chrome plated brass body, 3/8" NPT female outlet, 12" swing nozzle with stream regulator outlet, compression cartridge, lever handle and quick installation inlet. Certified to ASME A112.18.1/CSA B125.1, NSF 61-Section 9 and NSF 372. Meets ADA ANSI/ICC A117.1 requirements.

Job Name _____
 Model Specified _____ Quantity _____
 Variations Specified _____
 Date _____



Features & Benefits:

- Add-On faucet w/ polished chrome plated brass body
- 3/8" NPT female outlet
- 12" swing nozzle w/ stream regulator outlet, Series 1
- Quarter-turn Eterna compression cartridge
- Lever handle
- EasyInstall quick installation inlet
- Material: Polished chrome plated brass body, tubular nozzle, nipple and chrome plated metal handle.

Product Compliance:

- ASME A112.18.1 / CSA B125.1
- NSF 61 - Section 9
- NSF 372 (Low Lead Content)
- ANSI A117.1 (ADA)

Warranty: One Year (Limited)

Performance Data:

- Pressure: 20 - 125 psi
- Temperature: 40 °F - 140 °F
- Flow Rate: 8.91 GPM @ 60 psi



Optional Add-On Faucet Outlets (Series 1 / VR Series 6)

GPM	Aerated	VR Aerated (VR Laminar)	Optional Handles	Optional Cartridges
1.0	<input type="checkbox"/> B-0199-01-F10	<input type="checkbox"/> B-0199-06-F10	<input type="checkbox"/> 4" Wrist Action	<input type="checkbox"/> Quarter-Turn Cerama
1.5	<input type="checkbox"/> B-0199-01-WS	<input type="checkbox"/> B-0199-06-WS	<input type="checkbox"/> Lever (Standard)	<input type="checkbox"/> Eterna
2.2	<input type="checkbox"/> B-0199-01	<input type="checkbox"/> B-0199-06	<input type="checkbox"/> 4-Arm	<input type="checkbox"/> Quarter-Turn Eterna (Standard)

