



Architect/Engineering Specifications:

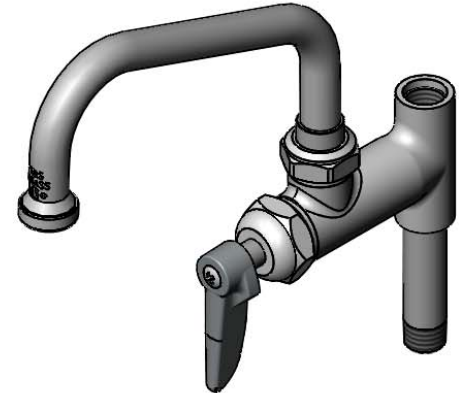
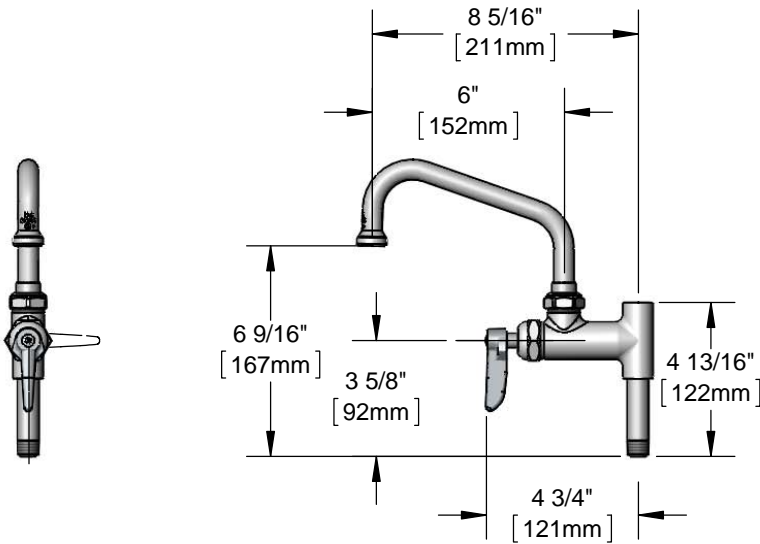
Add-on faucet with polished chrome plated brass body, 3/8" NPT female outlet, 6" swing nozzle with stream regulator outlet, ceramic cartridge, lever handle and 3/8" NPT male inlet. Certified to ASME A112.18.1/CSA B125.1, NSF 61-Section 9 and NSF 372.

Job Name _____

Model Specified _____ Quantity _____

Variations Specified _____

Date _____



Features & Benefits:

- Add-on faucet w/ polished chrome plated brass body
- 3/8" NPT female outlet
- 6" swing nozzle w/ stream regulator outlet, Series 1
- Quarter-turn Cerama cartridge
- Lever handle
- 3" nipple w/ 3/8" NPT male inlet
- Material: Polished chrome plated brass body, tubular nozzle, nipple and chrome plated metal handle.

Product Compliance:

- ASME A112.18.1 / CSA B125.1
- NSF 61 - Section 9
- NSF 372 (Low Lead Content)
- ANSI A117.1 (ADA)



Warranty: One Year (Limited)

- Cerama Cartridge: Lifetime (Limited)

Performance Data:

- Pressure: 20 - 125 psi
- Temperature: 40 °F - 180 °F
- Flow Rate: 6.89 GPM @ 60 psi



Optional Add-On Faucet Outlets (Series 1 / VR Series 6)

GPM	Aerated	VR Aerated (VR Laminar)	Optional Handles	Optional Cartridges
1.0	<input type="checkbox"/> B-0199-01-F10	<input type="checkbox"/> B-0199-06-F10	<input type="checkbox"/> 4" Wrist Action	<input type="checkbox"/> Quarter-Turn Cerama (Standard)
1.5	<input type="checkbox"/> B-0199-01-WS	<input type="checkbox"/> B-0199-06-WS	<input type="checkbox"/> Lever (Standard)	<input type="checkbox"/> Eterna
2.2	<input type="checkbox"/> B-0199-01	<input type="checkbox"/> B-0199-06	<input type="checkbox"/> 4-Arm	<input type="checkbox"/> Quarter-Turn Eterna
				<input type="checkbox"/> Metering

