



**Architect/Engineering Specifications:**

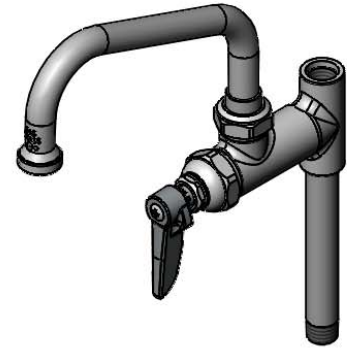
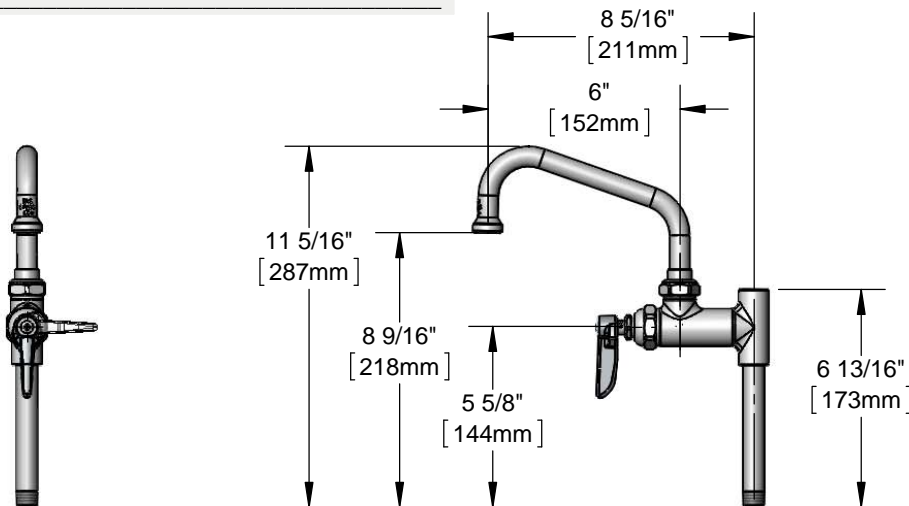
Add-on faucet with polished chrome plated brass body, 3/8" NPT female outlet, 6" swing nozzle with stream regulator outlet, compression cartridge, lever handle and 3/8" NPT male inlet. Certified to ASME A112.18.1/CSA B125.1, NSF 61-Section 9 and NSF 372. Meets ADA ANSI/ICC A117.1 requirements.

Job Name \_\_\_\_\_

Model Specified \_\_\_\_\_ Quantity \_\_\_\_\_

Variations Specified \_\_\_\_\_

Date \_\_\_\_\_



**Features & Benefits:**

- Add-on faucet w/ polished chrome plated brass body
- 3/8" NPT female outlet
- 6" swing nozzle
- Stream regulator outlet, Series 1
- Quarter-turn Eterna compression cartridge
- Lever handle
- 5" nipple w/ 3/8" NPT male inlet
- Material: Polished chrome plated brass body, tubular nozzle & nipple and chrome plated metal handle.

**Product Compliance:**

- ASME A112.18.1 / CSA B125.1
- NSF 61 - Section 9
- NSF 372 (Low Lead Content)
- ANSI A117.1 (ADA)



**Warranty:** One Year (Limited)

**Performance Data:**

- Pressure: 20 - 125 psi
- Temperature: 40 °F - 140 °F
- Flow Rate: 8.91 GPM @ 60 psi



**Optional Add-On Faucet Outlets (Series 1 / VR Series 6)**

GPM	Aerated	VR Aerated
1.0	<input type="checkbox"/> B-0199-01-F10	<input type="checkbox"/> B-0199-06-F10
1.5	<input type="checkbox"/> B-0199-01-WS	<input type="checkbox"/> B-0199-06-WS
2.2	<input type="checkbox"/> B-0199-01	<input type="checkbox"/> B-0199-06

**Optional Cartridges**

- Quarter-Turn Cerama
- Eterna
- Quarter-Turn Eterna (Standard)
- Push Button Metering
- Pivot Action Metering
- Wrist Action Metering

**Optional Handles**

- 4" Wrist Action
- Lever (Standard)
- 4-Arm

