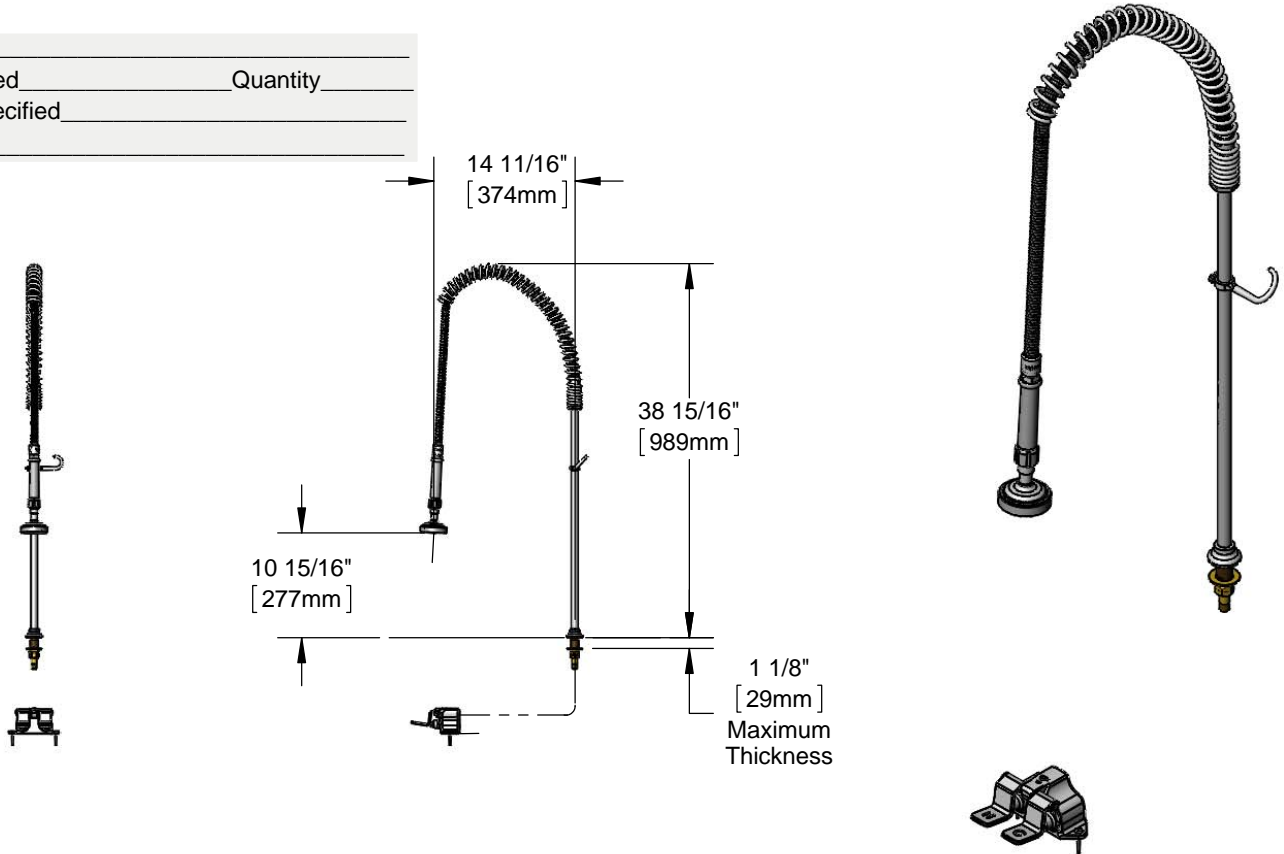




Architect/Engineering Specifications:

Single hole deck mount dummy pre-rinse and pedal valve with polished chrome plated brass bodies, 24" riser, 44" flexible stainless steel hose with heat resistant handle, 1.42 GPM spray head, compression cartridges and spray valve holder. Certified to ASME A112.18.1/CSA B125.1, NSF 61-Section 9 and NSF 372. EPA Act 2005 compliant.

Job Name _____
 Model Specified _____ Quantity _____
 Variations Specified _____
 Date _____



Features & Benefits:

- Single hole deck mount dummy pre-rinse and pedal valve w/ polished chrome plated brass bodies
- 24" riser
- 44" flexible stainless steel hose w/ heat resistant gray handle
- 1.42 GPM spray head and adapter
- Double pedal valve w/ 1/2" inlets and outlets
- Piping provided by others
- 1/2" NPSM shank w/ 150A tailpiece and nut for 1/4" NPT connections
- Material: Polished chrome plated brass bodies, riser & spray valve head, stainless steel hose, and chrome plated metal pedals

Product Compliance:

- ASME A112.18.1 / CSA B125.1
- NSF 61 - Section 9
- NSF 372 (Low Lead Content)
- EPA Act 2005 (PRSV)

Warranty: One Year (Limited)

Performance Data:

- Pressure: 20 - 125 psi
- Temperature: 40 °F - 140 °F
- Flow Rate: 1.42 GPM @ 60 psi

Optional Cartridges

- Metering

