



# Pre-Rinse Units

## B-0143-01

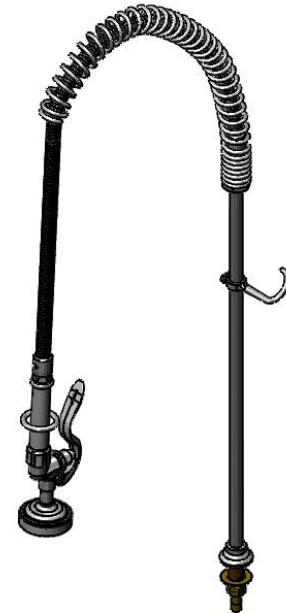
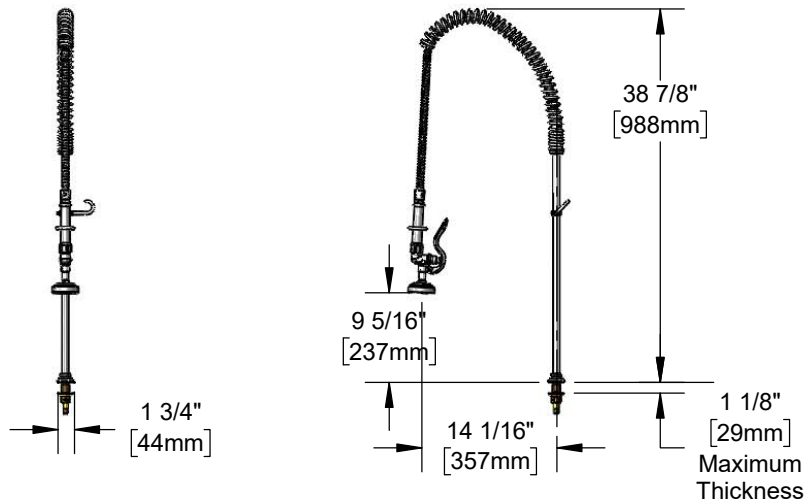
TAG:

### Pre-Rinse Unit

#### Architect/Engineering Specifications:

Single hole deck mount dummy pre-rinse with polished chrome plated brass rigid deck flange, 24" riser, 44" flexible stainless steel hose with heat resistant gray handle, 1.42 GPM spray valve and spray valve holder. Certified to ASME A112.18.1/CSA B125.1, NSF 61-Section 9 and NSF 372. EPAAct 2005 compliant.

Job Name \_\_\_\_\_  
 Model Specified \_\_\_\_\_ Quantity \_\_\_\_\_  
 Variations Specified \_\_\_\_\_  
 Date \_\_\_\_\_



#### Features & Benefits:

- Single hole deck mount dummy pre-rinse w/ polished chrome plated brass body
- 24" riser
- 44" flexible stainless steel hose w/ heat resistant gray handle
- 1.42 GPM spray valve
- 1/2" NPSM shank w/ 150A tailpiece and nut for 1/4" NPT connections
- Material: Polished chrome plated brass body, riser & spray valve and stainless steel hose

#### Product Compliance:

- ASME A112.18.1 / CSA B125.1
- NSF 61 - Section 9
- NSF 372 (Low Lead Content)
- EPAAct 2005 (PRSV)



#### Warranty: One Year (Limited)

#### Performance Data:

- Pressure: 20 - 125 psi
- Temperature: 40 °F - 140 °F
- Flow Rate: 1.42 GPM @ 60 psi

#### Optional Pre-Rinse Spray Valves

- B-0107 (1.42 GPM) (Standard)
- B-0107-C (0.65 GPM)
- B-0107-J (1.07 GPM)
- B-0108 (1.07 GPM)
- B-0108-C (0.65 GPM)



T&S BRASS AND BRONZE WORKS, INC.



• 2 Saddleback Cove • Travelers Rest, SC 29690  
 Ph 800-476-4103 • Fax 864-834-3518  
 • Simi Valley, CA • Ph 800-423-0150 • www.tsbrass.com

Date: 02/28/18