



Pre-Rinse Units
B-0133-08C-LB

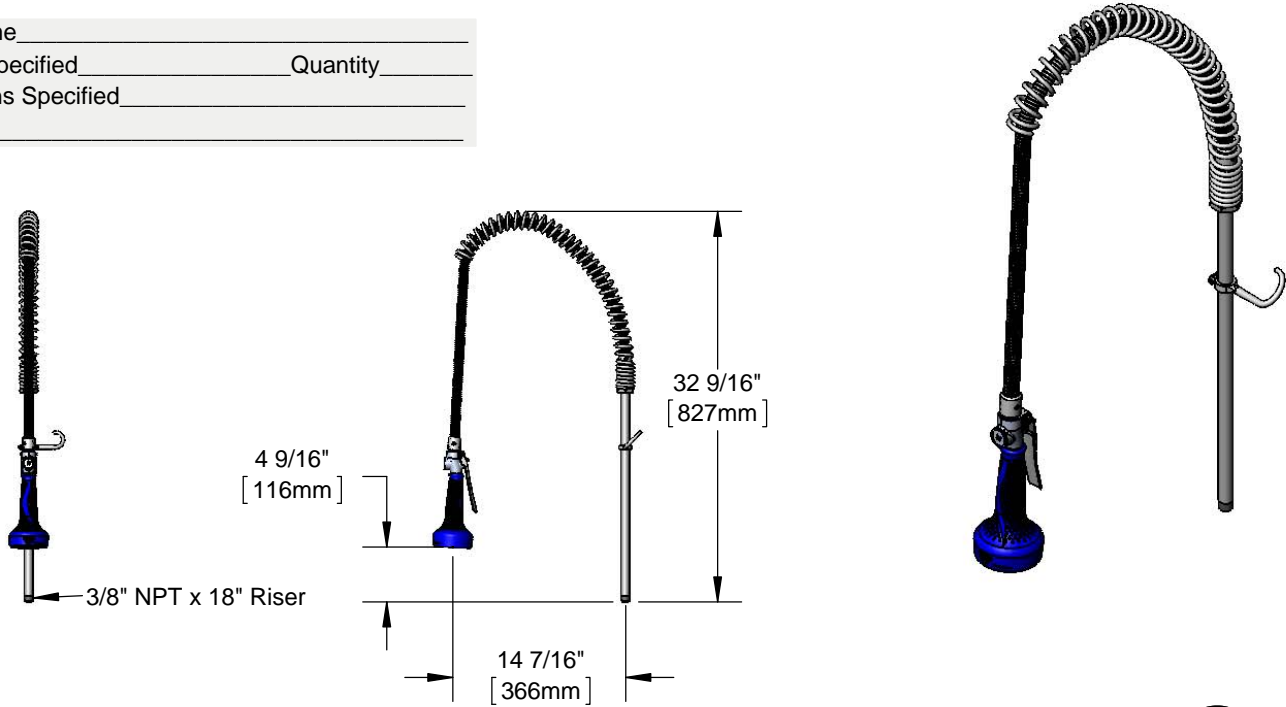
TAG:

Pre-Rinse Unit

Architect/Engineering Specifications:

Pre-rinse unit: 44" flexible stainless steel hose, 0.65 GPM low flow spray valve with insulated grip handle, spring and 18" riser, less base faucet. EPAct 2005 compliant.

Job Name _____
 Model Specified _____ Quantity _____
 Variations Specified _____
 Date _____



Features & Benefits:

- 44" flexible stainless steel hose w/ overhead spring
- 0.65 GPM JeTSpray spray valve with insulated grip handle, stainless steel trigger and trigger lock
- 3/8" NPT x 18" Riser
- Material: Chrome plated brass riser & spray valve body, stainless steel hose

Product Compliance:

- ASME A112.18.1 / CSA B125.1
- NSF 61 - Section 9
- NSF 372 (Low Lead Content)
- EPAct 2005 (PRSV)
- EPA WaterSense (PRSV)



Warranty: One Year (Limited)

Performance Data:

- Pressure: 20 - 125 psi
- Temperature: 40°F - 140°F
- Flow Rate: 0.65 GPM @ 60 psi

Optional Pre-Rinse Spray Valves

- B-0107 (1.42 GPM)
- B-0107-C (0.65 GPM)
- B-0107-J (1.07 GPM)
- B-0108 (1.48 GPM)
- B-0108-C (0.65 GPM) (Standard)



T&S BRASS AND BRONZE WORKS, INC.



• 2 Saddleback Cove • Travelers Rest, SC 29690
 Ph 800-476-4103 • Fax 864-834-3518
 • Simi Valley, CA • Ph 800-423-0150 • www.tsbrass.com

Date: 04/12/16