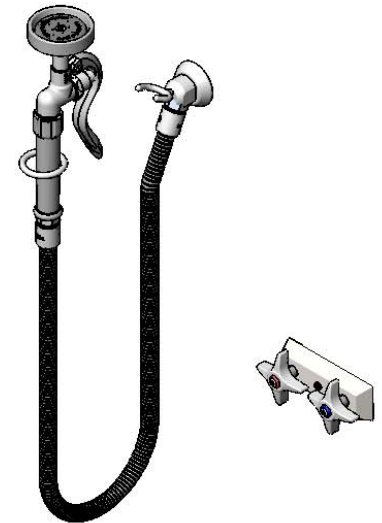
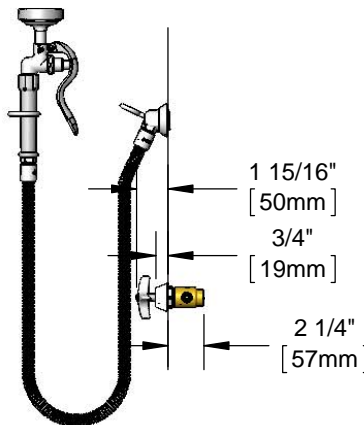
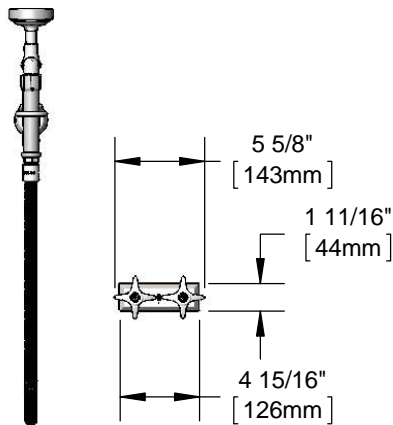




Architect/Engineering Specifications:

3" concealed mixing faucet with compression cartridges, 4-arm handles, 3/8" NPT female inlets and outlet, chrome plated escutcheon, flexible stainless steel hose with 1.42 GPM spray valve, and wall hook. Certified to ASME A112.18.1/CSA B125.1, NSF 61-Section 9 and NSF-372.

Job Name _____
 Model Specified _____ Quantity _____
 Variations Specified _____
 Date _____



Features & Benefits:

- 3" concealed mixing faucet
- Eterna compression cartridges
- 4-arm handles w/ color coded indexes
- 3/8" NPT female inlets
- 3/8" NPT female outlet
- Chrome plated escutcheon
- 44" flexible stainless steel hose
- 1.42 GPM spray valve
- Wall hook w/ 3/8" inlet
- Material: Brass body, chrome plated metal handles and chrome plated brass valve body & escutcheon

Product Compliance:

- ASME A112.18.1 / CSA B125.1
- NSF 61 - Section 9
- NSF 372 (Low Lead Content)
- EPA Act 2005 (PRSV)

Warranty: One Year (Limited)

Performance Data:

- Pressure: 20 - 125 psi
- Temperature: 40 °F - 140 °F
- Flow Rate: 1.42 GPM @ 60 psi



Optional Cartridges

- Quarter-Turn Cerama
- Eterna (Standard)
- Quarter-Turn Eterna

Optional Pre-Rinse Spray Valves

- B-0107 (1.42 GPM) (Standard)
- B-0107-C (0.65 GPM)
- B-0107-J (1.07 GPM)
- B-0108 (1.48 GPM)
- B-0108-C (0.65 GPM)

Optional Handles

- 4" Wrist Action
- Lever
- 4-Arm (Standard)

