



Architect/Engineering Specifications:

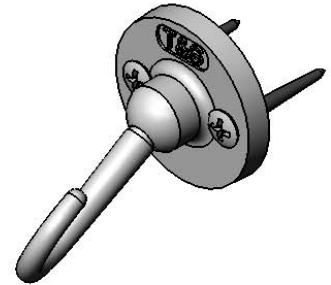
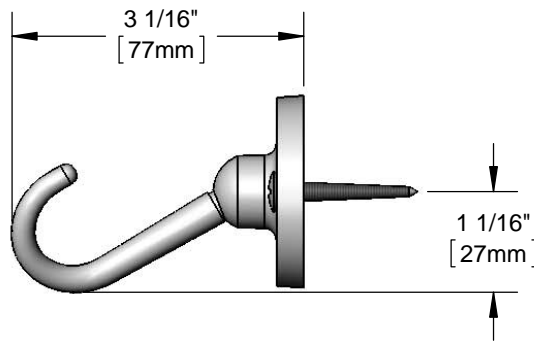
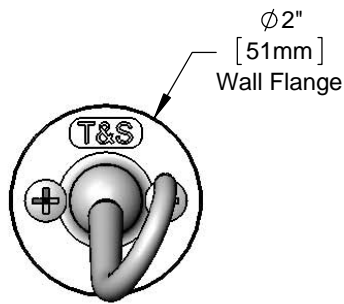
Polished chrome plated brass wall mount hook for holding pre-rinse spray valves. Furnished with mounting screws.

Job Name \_\_\_\_\_

Model Specified \_\_\_\_\_ Quantity \_\_\_\_\_

Variations Specified \_\_\_\_\_

Date \_\_\_\_\_



Features & Benefits:

- Polished chrome plated brass wall mount hook
- Furnished w/ mounting screws
- Material: Polished chrome plated brass body & hook

Product Compliance:

- N/A



Warranty: One Year (Limited)

Performance Data:

- N/A

N/A = Not Applicable

