



Architect/Engineering Specifications:

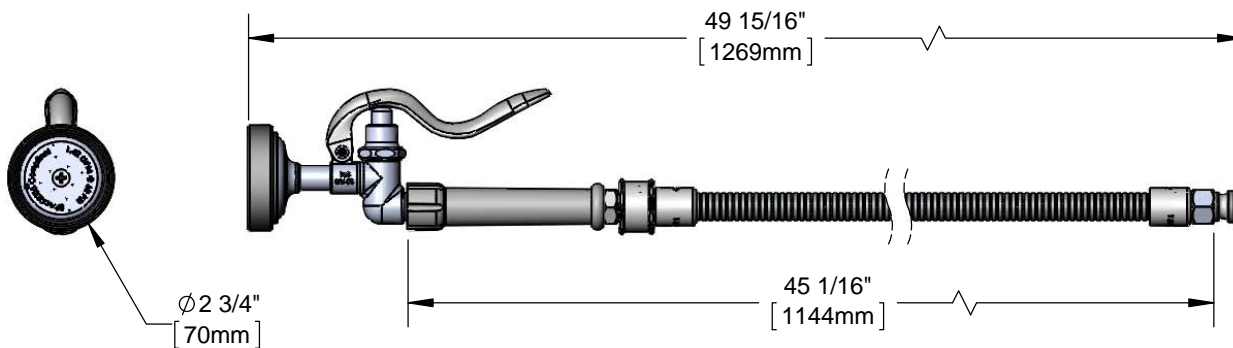
1.42 GPM spray valve with polished chrome plated brass body, swivel, 44" flexible stainless steel hose with heat resistant handle and 1/2" NPT male inlet. Certified to ASME A112.18.1/CSA B125.1, NSF 61-Section 9 and NSF 372. EPAct 2005 compliant.

Job Name _____

Model Specified _____ Quantity _____

Variations Specified _____

Date _____



Features & Benefits:

- Designed for heavy-duty use in industrial kitchens
- 1.42 GPM spray valve
- 360° spray valve rotation capability
- 44" flexible stainless steel hose w/ gray grip handle and hold down ring
- 1/2" NPT male inlet fitting
- Material: Polished chrome plated brass body, chrome plated swivel and stainless steel hose

Product Compliance:

- ASME A112.18.1 / CSA B125.1
- NSF 61 - Section 9
- NSF 372 (Low Lead Content)
- EPAct 2005 (PRSV)

Warranty: One Year (Limited)

Performance Data:

- Pressure: 20 - 125 psi
- Temperature: 40 °F - °F
- Flow Rate: 1.42 GPM @ 60 psi

