



Architect/Engineering Specifications:

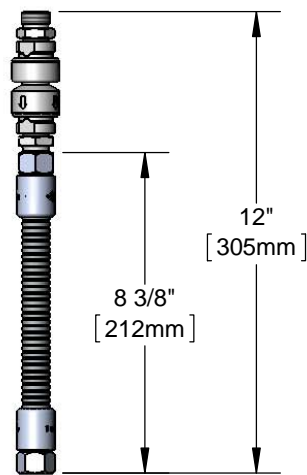
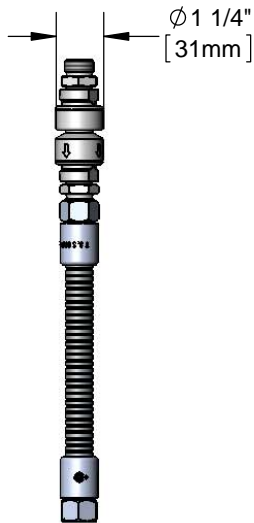
12" flexible stainless steel hose w/ vacuum breaker, 3/4-14 UN female outlet and 3/4-14 UN male inlet. Certified to ASME A112.18.1/CSA B125.1, NSF 61-Section 9 and NSF 372.

Job Name _____

Model Specified _____ Quantity _____

Variations Specified _____

Date _____



Features & Benefits:

- 12" flexible stainless steel hose w/ vacuum breaker
- 3/4-14 UN female outlet
- 3/4-14 UN male inlet
- Hose washer included
- Material: Polished chrome plated brass end fittings, and stainless steel hose

Product Compliance:

- ASME A112.18.1 / CSA B125.1
- NSF 61 - Section 9
- NSF 372 (Low Lead Content)

Warranty: Two Year (Limited)

Performance Data:

- Pressure: 20 - 125 psi
- Temperature: 40 °F - 140 °F
- Flow Rate: 4.87 GPM @ 60 psi

