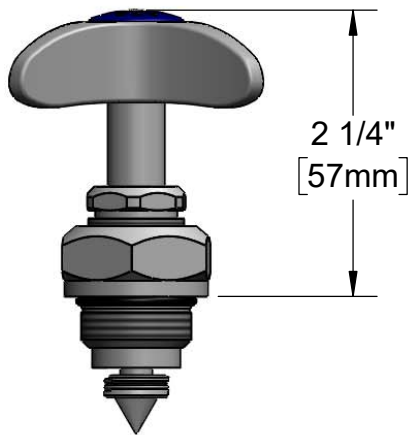




Architect/Engineering Specifications:

Lavatory straight stop spindle with 4-arm handle, blue index and screw. Certified to ANSI Z21.15a/ CSA 9.1a. Meets ADA ANSI/ICC A117.1 requirements.

Job Name _____
 Model Specified _____ Quantity _____
 Variations Specified _____
 Date _____



Features & Benefits:

- Lavatory straight stop spindle
- 4-arm handle
- Blue (Gas) index and screw
- Material: Chrome plated brass

Product Compliance:

- ANSI Z21.15a / CSA 9.1a (Gas Valves)
- ANSI A117.1 (ADA)

Warranty: One Year (Limited)

Performance Data:

- Pressure: 0.5 psi max
- Temperature: 32 °F - 125 °F



ADA Compliant

