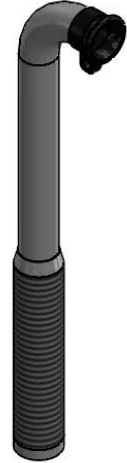
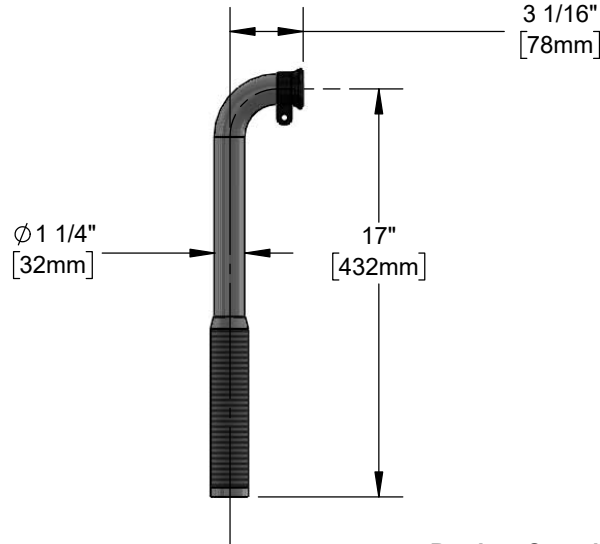




**Architect/Engineering Specifications:**

Pulldown pre-rinse unit spring and tube repair kit.

Job Name \_\_\_\_\_  
 Model Specified \_\_\_\_\_ Quantity \_\_\_\_\_  
 Variations Specified \_\_\_\_\_  
 Date \_\_\_\_\_



**Features & Benefits:**

- Pulldown pre-rinse unit spring and tube repair kit
- Material: Stainless steel spring and tube

**Product Compliance:**

- N/A

**Warranty:** One Year (Limited)

**Performance Data:**

- N/A

