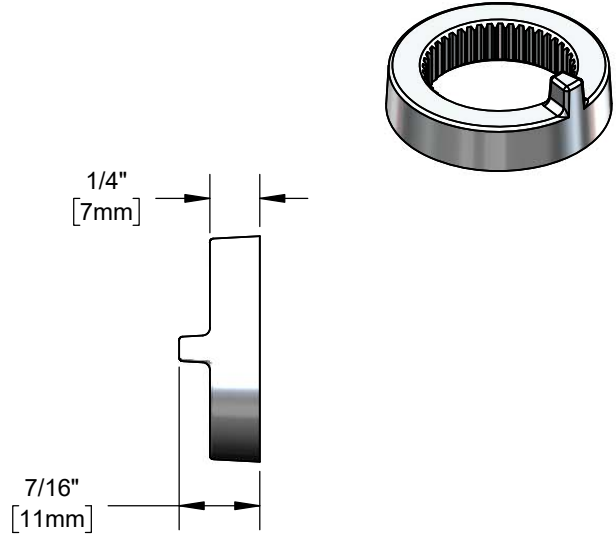
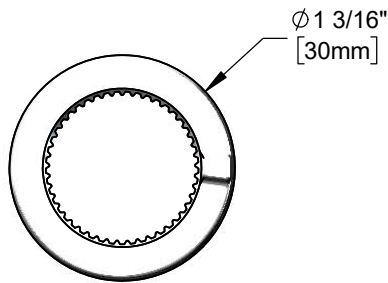




Architect/Engineering Specifications:

Temperature limit stop for thermostat mixing valve.

Job Name _____
 Model Specified _____ Quantity _____
 Variations Specified _____
 Date _____



Features & Benefits:

- Temperature limit stop
- Fits EC-SMT thermostatic mixing valve
- Material: Chrome plated metal

Product Compliance:

- N/A

Warranty: One Year (Limited)

Performance Data:

- N/A

