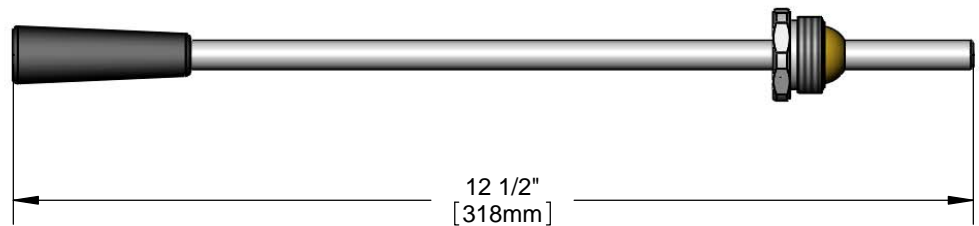
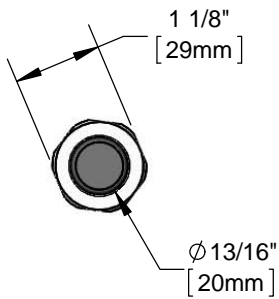
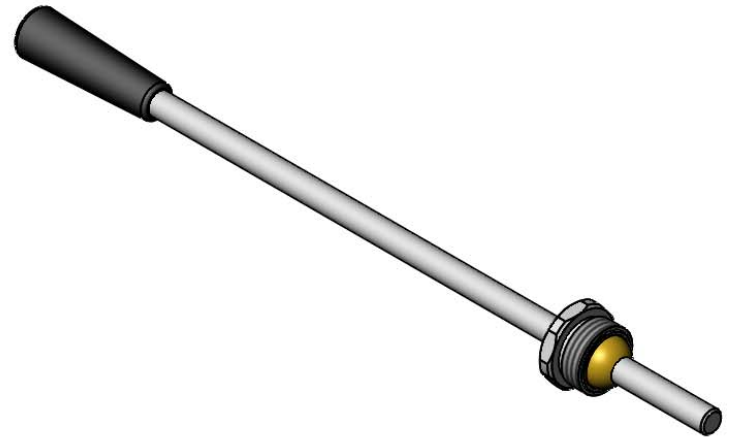




Architect/Engineering Specifications:

Stainless steel lever rod.

Job Name \_\_\_\_\_  
 Model Specified \_\_\_\_\_ Quantity \_\_\_\_\_  
 Variations Specified \_\_\_\_\_  
 Date \_\_\_\_\_



Features & Benefits:

- Stainless steel lever rod
- Fits all T&S lever waste drains
- Material: Stainless steel lever rod and thermoplastic handle

Product Compliance:

- N/A

Warranty: One Year (Limited)

Performance Data:

- N/A

