



Architect/Engineering Specifications:

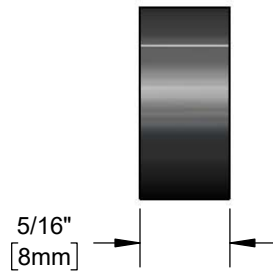
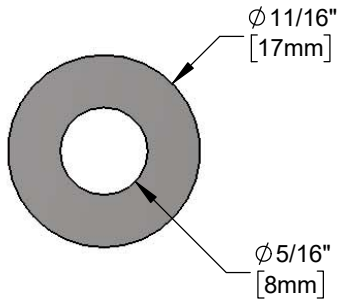
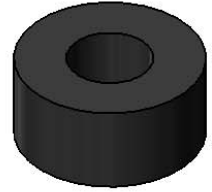
11/16" rubber packing washer for T&S self-closing cartridges. Certified to NSF 61 - Section 9 and NSF 372.

Job Name _____

Model Specified _____ Quantity _____

Variations Specified _____

Date _____



Features & Benefits:

- Rubber packing washer for T&S self-closing cartridges
- Material: Rubber

Product Compliance:

- NSF 61 - Section 9
- NSF 372 (Low Lead Content)



Warranty: One Year (Limited)



Performance Data:

- N/A

