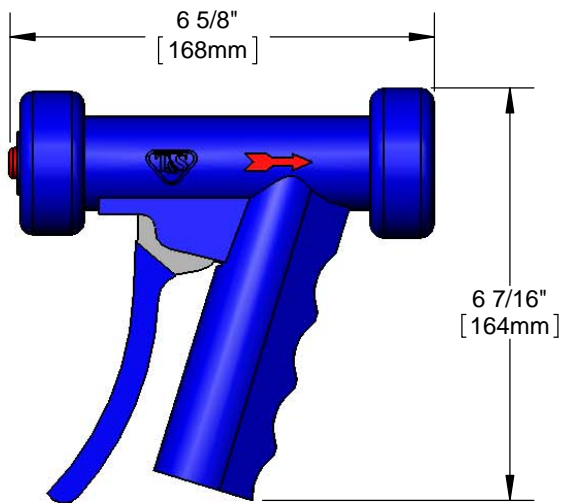




Architect/Engineering Specifications:

Heavy duty rear trigger water gun, aluminum with blue rubber cover, Ø 5/16" flow orifice and 1/2" NPT x 3/8" NPT adapter.

Job Name _____
Model Specified _____ Quantity _____
Variations Specified _____
Date _____



Features & Benefits:

- Heavy duty rear trigger water gun
- Aluminum with blue rubber cover
- 8.15 GPM water gun
- Ø 5/16" flow orifice
- 1/2" NPT x 3/8" NPT female adapter
- Weighs 1/2 lb. less then MV-2516 and MV-2522
- Material: Aluminum and rubber

Product Compliance:

- NSF 61 Exempt (Non-Potable)

Warranty: One Year (Limited)

Performance Data:

- Pressure: 20 - 125 psi
- Temperature: 40 °F - 150 °F
- Flow Rate: 8.15 GPM @ 60 psi

