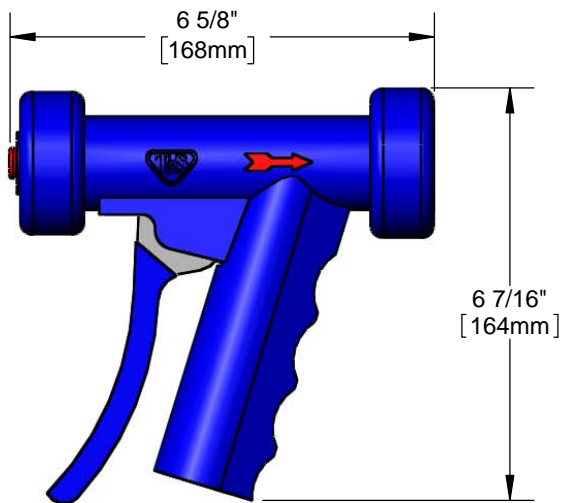




**Architect/Engineering Specifications:**

Heavy duty rear trigger water gun, aluminum with blue rubber cover, Ø 5/16" flow orifice and 1/2" NPT x 3/8" NPT adapter.

Job Name _____
Model Specified _____ Quantity _____
Variations Specified _____
Date _____



**Features & Benefits:**

- Heavy duty rear trigger water gun
- Aluminum with blue rubber cover
- Ø 5/16" flow orifice
- 1/2" NPT x 3/4" hose barb adapter
- Automatic shut-off
- Material: Aluminum and rubber

**Product Compliance:**

- NSF 61 Exempt (Non-Potable)

**Warranty:** One Year (Limited)

**Performance Data:**

- Pressure: 20 - 125 psi
- Temperature: 40 °F - 150 °F
- Flow Rate: 8.15 GPM @ 60 psi

