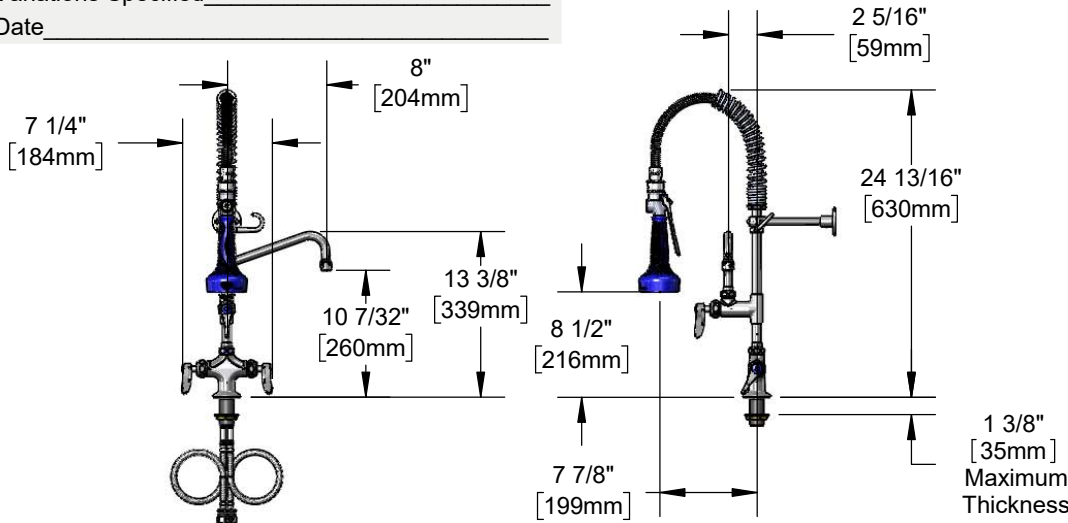




Architect/Engineering Specifications:

Single hole deck mount mixing faucet with polished chrome plated brass body, add-on faucet with ceramic cartridge and lever handle, 8" swing nozzle with stream regulator outlet, 8" riser, vacuum breaker, 24" flexible stainless steel hose with heat resistant handle, 1.07 GPM JeTSpray valve, pre-rinse swivel, ceramic cartridges with check valves, lever handles, 18" flexible stainless steel supply hoses with 1/2" NPSM / 5/8" compression connections, 6" adjustable wall bracket, spray valve holder and overhead spring. Certified to ASME A112.18.1/CSA B125.1, NSF 61-Section 9 and NSF 372. EPAAct 2005 compliant.

Job Name _____
Model Specified _____ Quantity _____
Variations Specified _____
Date _____



Features & Benefits:

- Single hole deck mount mixing faucet w/ polished chrome plated brass body & Ø 2 1/4" deck flange
• EasyInstall add-on faucet w/ polished chrome plated brass body
• Continuous pressure vacuum breaker
• 8" swing nozzle w/ stream regulator outlet, Series 1
• 8" rigid riser
• 24" flexible stainless steel hose
• 1.07 GPM JeTSpray valve w/ pre-rinse swivel, insulated grip handle, stainless steel trigger and trigger lock
• Quarter-turn Cerama cartridges with check valves to prevent cross flow of water
• Lever handles w/ color coded indexes
• 18" flexible stainless steel supply hoses w/ 1/2" NPSM / 5/8" compression connections
• 6" adjustable wall bracket
• Material: Polished chrome plated brass body & tubular nozzle, vacuum breaker, add-on faucet body, riser & spray valve, stainless steel hose and chrome plated metal handles

Product Compliance:

- ASME A112.18.1 / CSA B125.1
• NSF 61 - Section 9
• NSF 372 (Low Lead Content)
• EPAAct 2005 (PRSV)
• For Commercial use Only



Warranty: Three Year (Limited)

- Cerama Cartridge: Lifetime (Limited)

Performance Data:

- Pressure: 20 - 125 psi
• Temperature: 40 °F - 140 °F
• Flow Rate:

Spray Valve: 1.07 GPM @ 60 psi

Add-On Faucet: 4.51 GPM @ 60 psi

Optional Cartridges With Checks

- Quarter-Turn Cerama w/ Check Valve (Standard)
 Quarter-Turn Eterna w/ Spring Check

Optional Handles

- 4" Wrist Action
 Lever (Standard)
 4-Arm

Optional Pre-Rinse Spray Valves

- B-0107 (1.42 GPM)
 B-0107-C (0.65 GPM)
 B-0107-J (1.07 GPM)
 B-0108 (1.07 GPM) (Standard)
 B-0108-C (0.65 GPM)

Optional Add-On Faucet Outlets (Series 1 / VR Series 6)

Table with 3 columns: GPM, Aerated, VR Aerated (VR Laminar). Rows for 1.0, 1.5, and 2.2 GPM.

