



**Hose Reels**  
**5R.M20.T449**

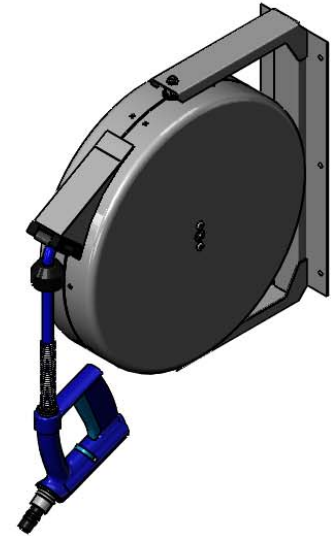
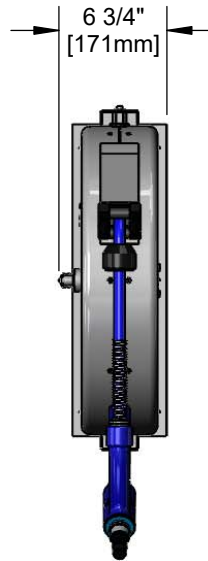
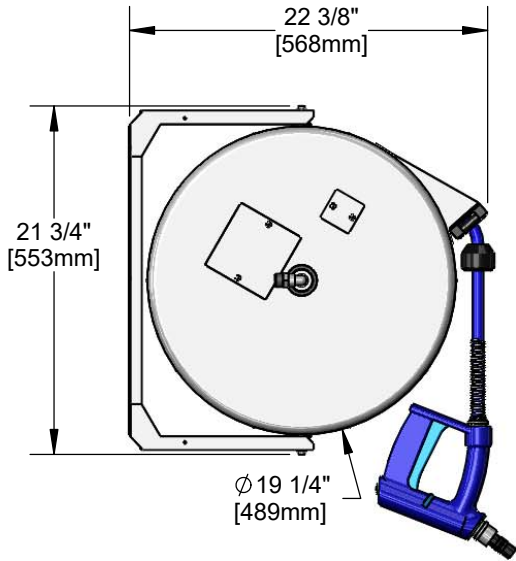
TAG:

*Enclosed Stainless Steel Hose Reel*

**Architect/Engineering Specifications:**

Enclosed stainless steel hose reel, adjustable flow spray gun, 3/8" x 65' (DN 10 x 20m) food grade heavy-duty non-marking hose, ratcheting system, swivel wall bracket, adjustable hose bumper and G 1/2 male inlet.

Job Name \_\_\_\_\_  
 Model Specified \_\_\_\_\_ Quantity \_\_\_\_\_  
 Variations Specified \_\_\_\_\_  
 Date \_\_\_\_\_



**Features & Benefits:**

- Enclosed stainless steel hose reel
- Adjustable flow spray gun
- 3/8" x 65' (DN 10 x 20m) food grade heavy-duty non-marking hose rated to 300 PSI
- Ratcheting system holds the length of hose until a slight tug to retract automatically
- G 1/2 male inlet
- Adjustable hose bumper
- Wall mount swivel bracket
- Material: Stainless steel enclosed reel and food grade rubber hose

**Product Compliance:**

- NSF 51
- FDA 21 CFR 177.2600
- NSF 61 Exempt (Non-Potable)



**Warranty:** One Year (Limited)

**Performance Data:**

- Pressure: 20 - 125 psi
- Temperature: 40 °F - 200 °F
- Flow Rate: 2.20 GPM @ 60 psi



**T&S BRASS AND BRONZE WORKS, INC.**



• 2 Saddleback Cove • Travelers Rest, SC 29690  
 Ph 800-476-4103 • Fax 864-834-3518  
 • Simi Valley, CA • Ph 800-423-0150 • www.tsbrass.com

Date: 03/19/19