



# Electronic Faucets

## 5EF-2D-DG-V5-HG

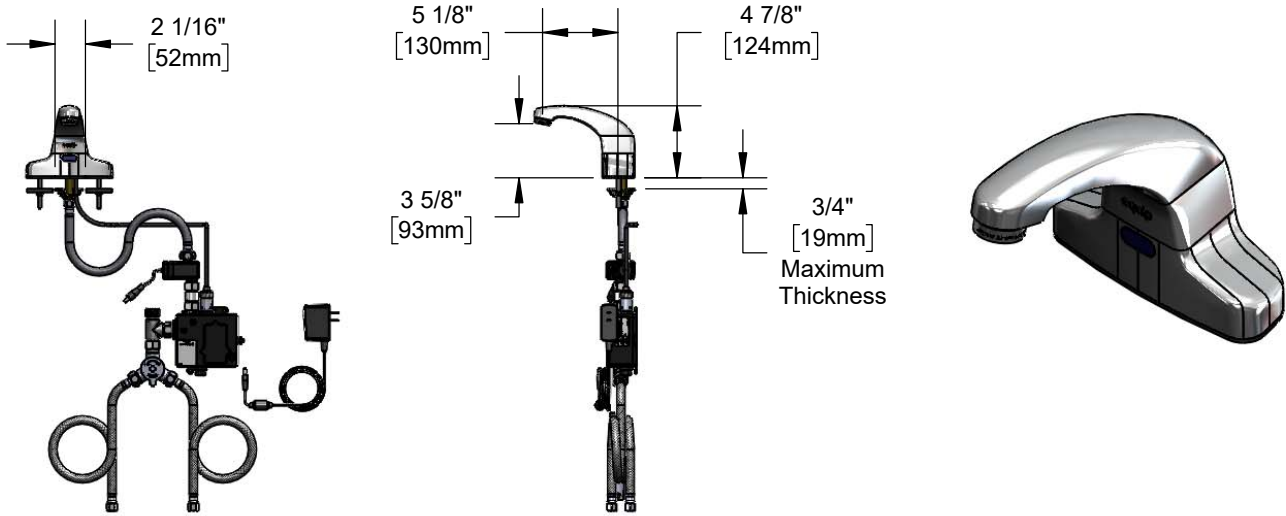
TAG:

# Electronic Sensor Faucet

### Architect/Engineering Specifications:

4" deck mount electronic sensor faucet with polished chrome plated brass body with integral spout, 0.5 GPM vandal resistant non-aerated spray device, hydro-generator power supply, AC/DC control module, temperature control mixing valve with integral check valves and 18" flexible stainless steel supply hoses with 3/8" compression connections. Certified to ASME A112.18.1/CSA B125.1, NSF 61-Section 9, NSF 372 and UL 1951. Meets ADA ANSI/ICC A117.1 requirements.

Job Name \_\_\_\_\_  
 Model Specified \_\_\_\_\_ Quantity \_\_\_\_\_  
 Variations Specified \_\_\_\_\_  
 Date \_\_\_\_\_



### Features & Benefits:

- 4" deck mount faucet w/ polished chrome plated brass body with integral spout
- 0.5 GPM vandal resistant non-aerated spray device, Series 9 (B-0199-09-N05)
- Hydro-generator power supply
- Water resistant control module
- Plug in AC transformer or (4) AA battery (DC) power options
- Mechanical temperature mixing valve w/ integral check valves
- 18" flexible stainless steel supply hoses w/ 3/8" compression connections
- Low battery LED indicator light
- Material: Polished chrome plated brass body & tubular spout

### Product Compliance:

- ASME A112.18.1 / CSA B125.1
- NSF 61 - Section 9
- NSF 372 (Low Lead Content)
- ANSI A117.1 (ADA)
- UL 1951



**Warranty:** One Year (Limited)



ADA Compliant

### Performance Data:

- Pressure: 20 - 125 psi
- Temperature: 40°F - 140°F
- Flow Rate: 0.5 GPM @ 60 psi
- Water Consumption: @ 10 sec = .08 gal  
@ 15 sec = .13 gal



### Optional Outlets (Series 4 / VR Series 9)

| GPM  | Aerated                               | Non-Aerated (Laminar)                   | VR Aerated                            | VR Non-Aerated (VR Laminar)             |
|------|---------------------------------------|---|---------------------------------------|---|
| 0.35 | N/A                                   | <input type="checkbox"/> B-0199-04-N035 | N/A                                   | <input type="checkbox"/> B-0199-09-N035 |
| 0.5  | N/A                                   | <input type="checkbox"/> B-0199-04-N05  | N/A                                   | Standard                                |
| 1.0  | N/A                                   | N/A                                     | N/A                                   | <input type="checkbox"/> B-0199-09-LF10 |
| 1.5  | <input type="checkbox"/> B-0199-04-WS | N/A                                     | <input type="checkbox"/> B-0199-09-WS | <input type="checkbox"/> B-0199-09-LF15 |
| 2.2  | <input type="checkbox"/> B-0199-04    | <input type="checkbox"/> B-0199-25      | <input type="checkbox"/> B-0199-09    | <input type="checkbox"/> B-0199-27      |



equip Foodservice Accessories



• 2 Saddleback Cove • Travelers Rest, SC 29690  
 Ph 800-891-4808 • Fax 800-868-0084  
 www.tsbrass.com

Date: \_\_\_\_\_