



**Architect/Engineering Specifications:**

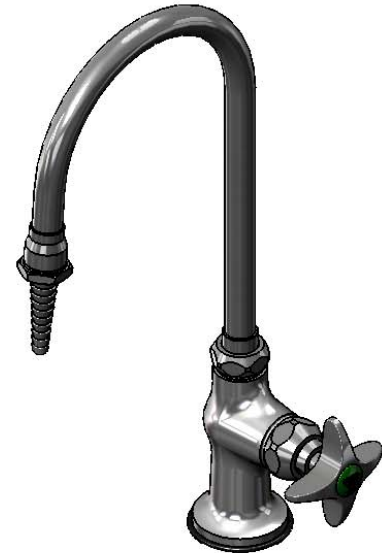
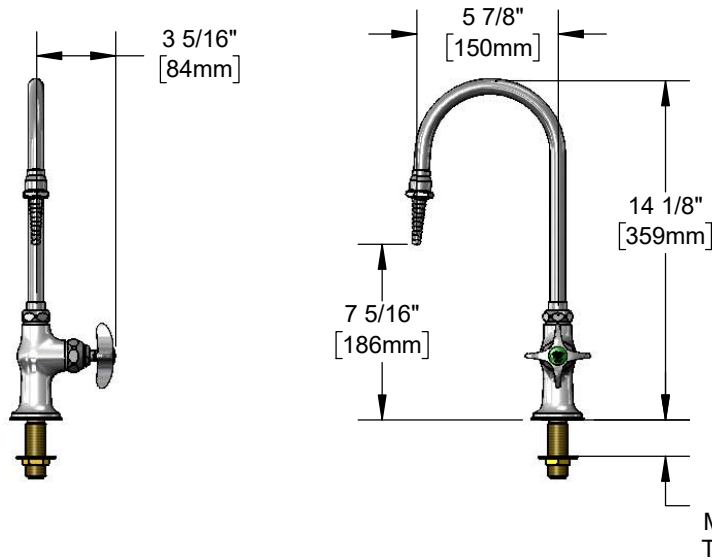
Single hole single temperature deck mount faucet with polished chrome plated brass body, 5 7/8" swivel/rigid gooseneck with serrated tip outlet, compression cartridge with spring check, 4-arm handle and 1/2" NPSM male inlet. Certified to ASME A112.18.1 / CSA B125.1, NSF 61-Section 9 and NSF 372. Meets ADA ANSI/ICC A117.1 requirements.

Job Name \_\_\_\_\_

Model Specified \_\_\_\_\_ Quantity \_\_\_\_\_

Variations Specified \_\_\_\_\_

Date \_\_\_\_\_



**Features & Benefits:**

- Single hole single temperature deck mount faucet w/ polished chrome plated brass body
- 5 7/8" swivel/rigid gooseneck
- Includes lock washer to convert swivel gooseneck to rigid
- Serrated tip outlet
- Quarter-turn Eterna compression cartridge w/ spring check
- 4-arm handle w/ green index
- 1/2" NPSM male inlet
- Optional tailpiece and nut for 1/4" NPT male connection
- Material: Polished chrome plated brass body & tubular spout and handle

**Product Compliance:**

- ASME A112.18.1 / CSA B125.1
- NSF 61 - Section 9
- NSF 372 (Low Lead Content)
- ANSI A117.1 (ADA)

**Warranty:** One Year (Limited)

**Performance Data:**

- Pressure: 20 - 125 psi
- Temperature: 40 °F - 140 °F
- Flow Rate: 4.01 GPM @ 60 psi



ADA Compliant

**Optional Handles**

- 4" Wrist Action
- Lever
- 4-Arm (Standard)

**Optional Cartridges With Checks**

- Quarter-Turn Cerama w/ Check Valve
- Quarter-Turn Eterna w/ Spring Check (Standard)

