



Architect/Engineering Specifications:

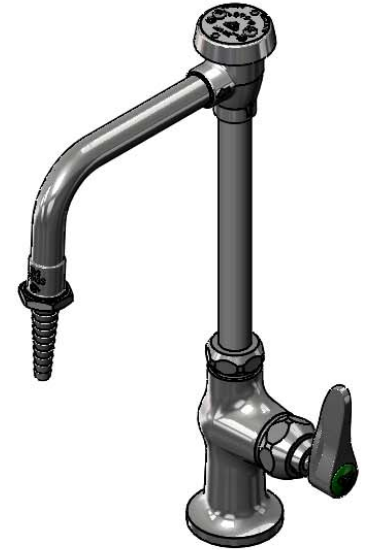
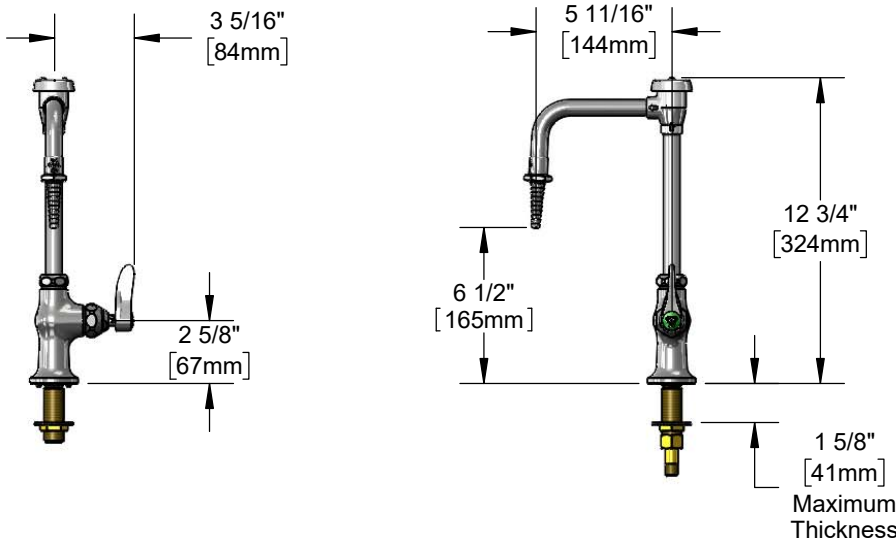
Single hole single temperature deck mount faucet with polished chrome plated brass body, swivel nozzle with vacuum breaker and serrated tip outlet, compression cartridge with spring check, lever handle, vandal resistant handle screw and 1/2" NPSM male inlet. Certified to ASME A112.18.1 / CSA B125.1, NSF 61-Section 9, NSF 372 and ASSE 1001. Meets ADA ANSI/ICC A117.1 requirements.

Job Name _____

Model Specified _____ Quantity _____

Variations Specified _____

Date _____



Features & Benefits:

- Single hole single temperature deck mount faucet w/ polished chrome plated brass body
- Polished chrome swivel nozzle w/ vacuum breaker & serrated tip outlet
- Lock washer provided for rigid application
- Quarter-turn Eterna compression cartridge w/ spring check
- Lever handle w/ VR screw & color coded index
- 1/2" NPSM male inlet
- Anti-rotation screws (2) in bottom of faucet body to prevent twisting of faucet
- Material: Polished chrome plated brass body, tubular spout and chrome plated metal handle

Product Compliance:

- ASME A112.18.1 / CSA B125.1
- NSF 61 - Section 9
- NSF 372 (Low Lead Content)
- ANSI A117.1 (ADA)
- ASSE 1001 (VB)

Warranty: One Year (Limited)

Performance Data:

- Pressure: 20 - 125 psi
- Temperature: 40°F - 140°F
- Flow Rate: 3.89 GPM @ 60 psi



ADA Compliant



Optional Handles

- 4" Wrist Action
- Lever (Standard)
- 4-Arm

Optional Cartridges

- Quarter-Turn Cerama w/ Check Valve
- Quarter-Turn Eterna w/ Spring Check (Standard)

