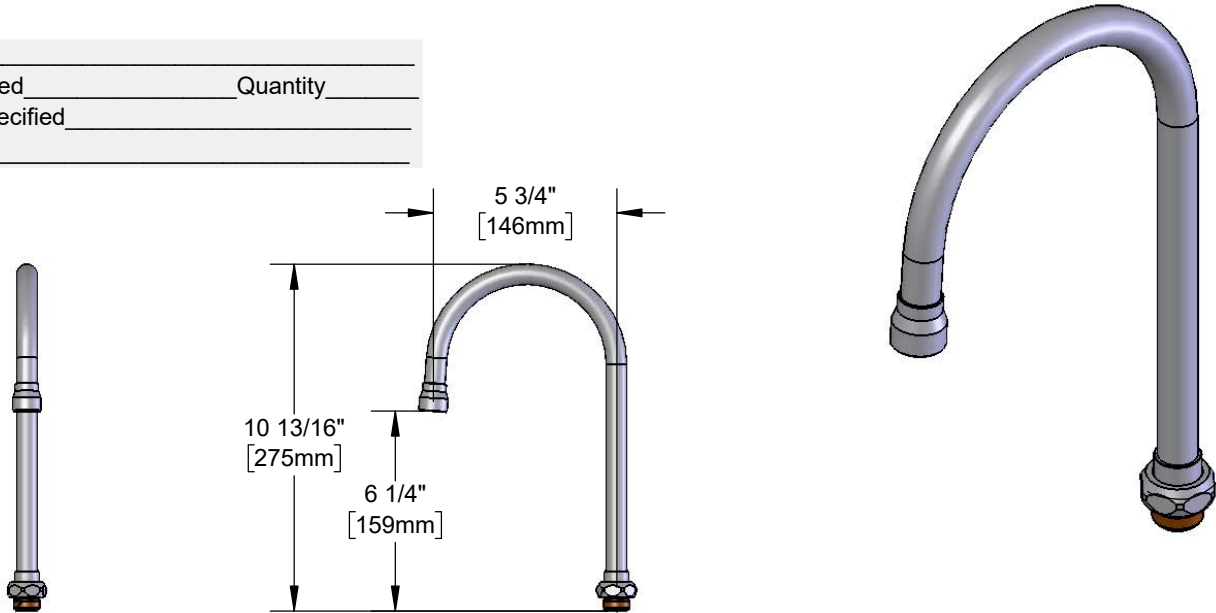




**Architect/Engineering Specifications:**

5 3/4" swivel gooseneck with polished chrome plated brass tubular body and bell adapter w/ 3/8" NPSM female outlet. Certified to ASME A112.18.1/CSA B125.1, NSF 61-Section 9 and NSF 372.

Job Name \_\_\_\_\_  
 Model Specified \_\_\_\_\_ Quantity \_\_\_\_\_  
 Variations Specified \_\_\_\_\_  
 Date \_\_\_\_\_



**Features & Benefits:**

- 5 3/4" swivel gooseneck
- Bell adapter outlet w/ 3/8" NPSM female outlet, Series 2
- Fits all T&S swivel outlet faucets
- Material: Chrome plated brass tubular spout

**Product Compliance:**

- ASME A112.18.1 / CSA B125.1
- NSF 61 - Section 9
- NSF 372 (Low Lead Content)



**Warranty:** One Year (Limited)



**Performance Data:**

- Pressure: 20 - 125 psi
- Temperature: 40 °F - 140 °F
- Flow Rate: 26.3 GPM @ 60 psi

(Outlet Device &/or Final Configuration May Reduce Flow Rate)

**Optional Outlets (Series 2 / VR Series 7)**

| GPM  | Aerated                                | Non-Aerated (Laminar)                   | VR Aerated                             | VR Non-Aerated (VR Laminar)             |
|------|--|---|--|---|
| 0.35 | N/A                                    | <input type="checkbox"/> B-0199-02-N035 | N/A                                    | <input type="checkbox"/> B-0199-07-N035 |
| 0.5  | N/A                                    | <input type="checkbox"/> B-0199-02-N05  | N/A                                    | <input type="checkbox"/> B-0199-07-N05  |
| 1.0  | <input type="checkbox"/> B-0199-02-F10 | N/A                                     | <input type="checkbox"/> B-0199-07-F10 | N/A                                     |
| 1.2  | <input type="checkbox"/> B-0199-02-F12 | N/A                                     | <input type="checkbox"/> B-0199-07-F12 | N/A                                     |
| 1.5  | <input type="checkbox"/> B-0199-02-WS  | N/A                                     | <input type="checkbox"/> B-0199-07-WS  | N/A                                     |
| 2.2  | <input type="checkbox"/> B-0199-02     | N/A                                     | <input type="checkbox"/> B-0199-07     | N/A                                     |

