



Architect/Engineering Specifications:

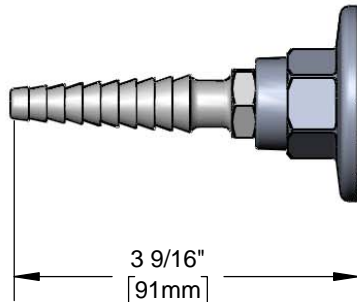
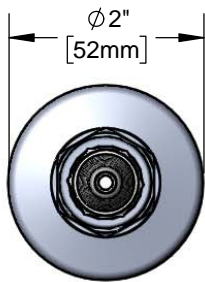
Laboratory panel flange with polished chrome plated body, serrated tip outlet (accepts 1/4" to 3/8" I.D. hose) and 3/8" NPT female inlet. Certified to ASME A112.18.1/CSA B125.1, NSF 61-Section 9 and NSF 372.

Job Name _____

Model Specified _____ Quantity _____

Variations Specified _____

Date _____



Features & Benefits:

- Laboratory panel flange with polished chrome plated body
- Serrated tip outlet
- Ø 2" panel flange w/ 3/8" NPT female inlet
- Material: Polished chrome plated brass panel flange

Product Compliance:

- ASME A112.18.1 / CSA B125.1
- NSF 61 - Section 9
- NSF 372 (Low Lead Content)



Warranty: One Year (Limited)

Performance Data:

- Pressure: 20 - 125 psi
- Temperature: 40 °F - 140 °F
- Flow Rate: TBD GPM @ 60 psi

